

LIST OF DRAWINGS TRADITIONAL DETAILS

A1	TYPICAL FLANGE STYLE WINDOW PENETRATION	H5	BOTTOM OF WALL AT TOP OF ROOF
A2-3	TYPICAL FLANGE STYLE WINDOW PENETRATION	H6	TRADITIONAL ROOF/WALL INTERSECTION - KICKOUT FLASHING
A4-5	TYPICAL FLANGE STYLE WINDOW PENETRATION	H7	TERMINATION AT DECK
A6	TYPICAL FLANGE STYLE WINDOW PENETRATION	H8	VINYL DECK DETAIL
A10-11	PREPARATION FOR WINDOW PENETRATION ARCHED TOP FLANGE STYLE WINDOWS	H9	DRIP THROUGH DECK DETAIL CROSS SECTION
A12-13	PREPARATION FOR WINDOW PENETRATION ARCHED TOP FLANGE STYLE WINDOWS	P1	DRYER VENT PENETRATION
A14	PREPARATION FOR WINDOW PENETRATION ARCHED TOP FLANGE STYLE WINDOWS	P2	HOSE RIB PENETRATION
A16	TYPICAL FLANGE STYLE ROUND WINDOW PENETRATION	S1	SOFFIT DETAIL WITH VENT
C1	HORIZONTAL CONTROL JOINT THROUGH WALL FLASHING	S2	SOFFIT DETAIL (SLOPING)
C2	HORIZONTAL CONTROL JOINT THROUGH 'W' FLASHING	T1-T2	LATH 1 IMASCO STUCCO TO CONCRETE MASONRY UNITS WITH LATH - IMASCO STUCCO DIRECT TO CONCRETE MASONRY UNITS
D1-D2	WEEP SCREEN AT CONCRETE 1/CASING BEAD AT CONCRETE	T3-T4	IMASCO STUCCO DIRECT TO CONCRETE LATH 1 IMASCO STUCCO TO CONCRETE WITH LATH
D3-D4	CASING BEAD FLASHING AT CONCRETE WOOD TRIM AT CONCRETE	T5	FINISH COAT DIRECT TO CONCRETE
E1	INTERIOR CORNER	T6	PREPARATION FOR SADDLE FLASHING
E2	INTERIOR CORNER LATH ALTERNATE	T6a	PREPARATION FOR SADDLE FLASHING
E3	INTERIOR CORNER CONTROL JOINT ALTERNATE	T6b	PREPARATION FOR SADDLE FLASHING
F1	VERTICAL CONTROL JOINT	T6c	PREPARATION FOR SADDLE FLASHING
F2	VERTICAL JOINT STUCCO TO OTHER CLADDING	T7	SADDLE FLASHING DETAIL
F3	VERTICAL JOINT C.M.U. (FLUSH)		
F4	VERTICAL JOINT C.M.U.		
G1	STUCCO 1 OTHER CLADDING HORIZONTAL JOINT		
H1	TERMINATION AT PARAPET		
H2	TERMINATION AT ROOF		
H3-4	RAILING AT CAPPED WALL RAIL MOUNTING		

GENERIC DETAIL ONLY

Use of this design subject to
approval for specific project

FEBRUARY 9, 2001

TITLE

IMASCO ENGINEERING
IMASCO MINERALS INC.

ENGINEERING OFFICE
1975 MCLEAN DRIVE
VANCOUVER, B.C. V6N 3J7

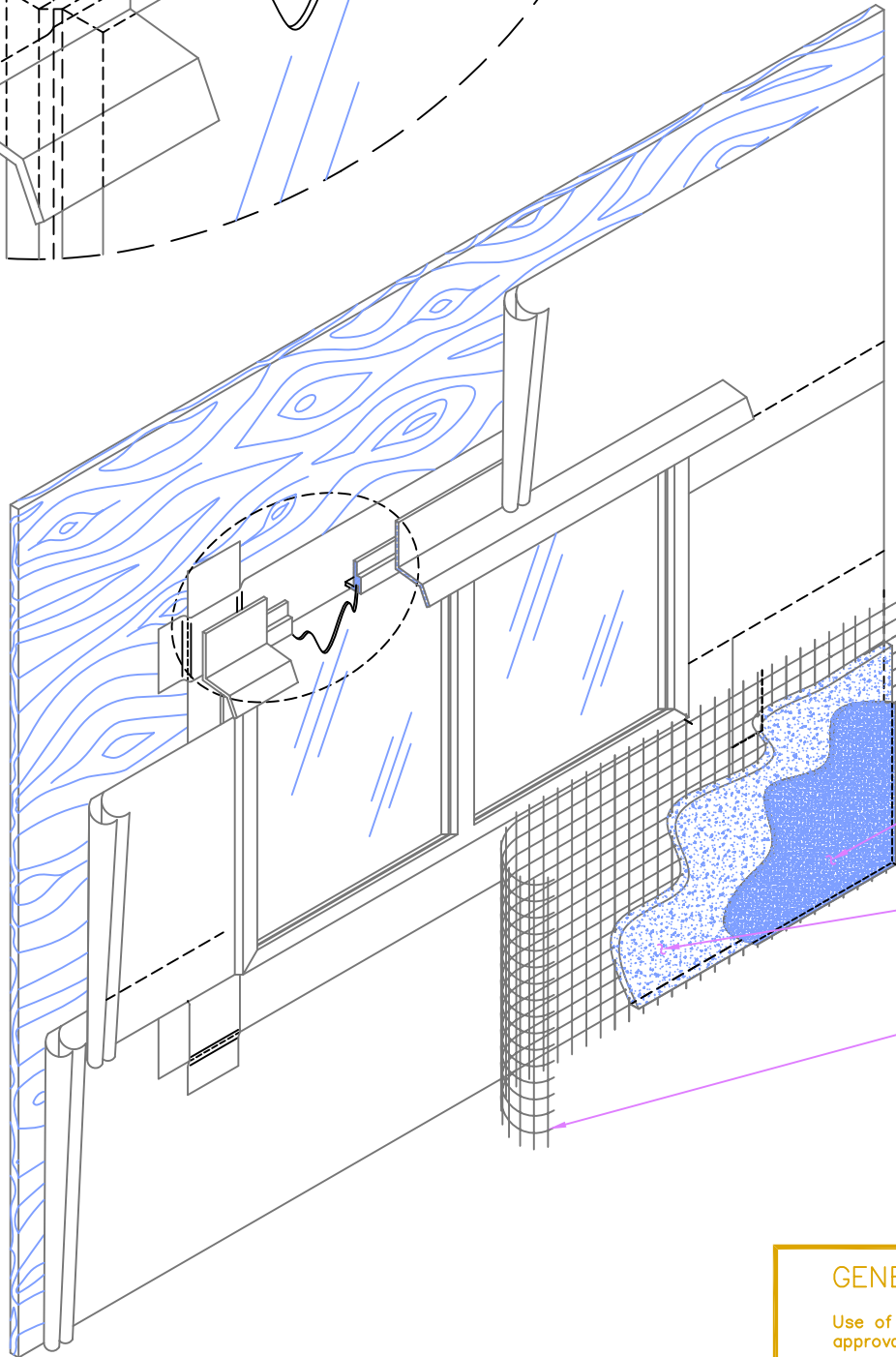
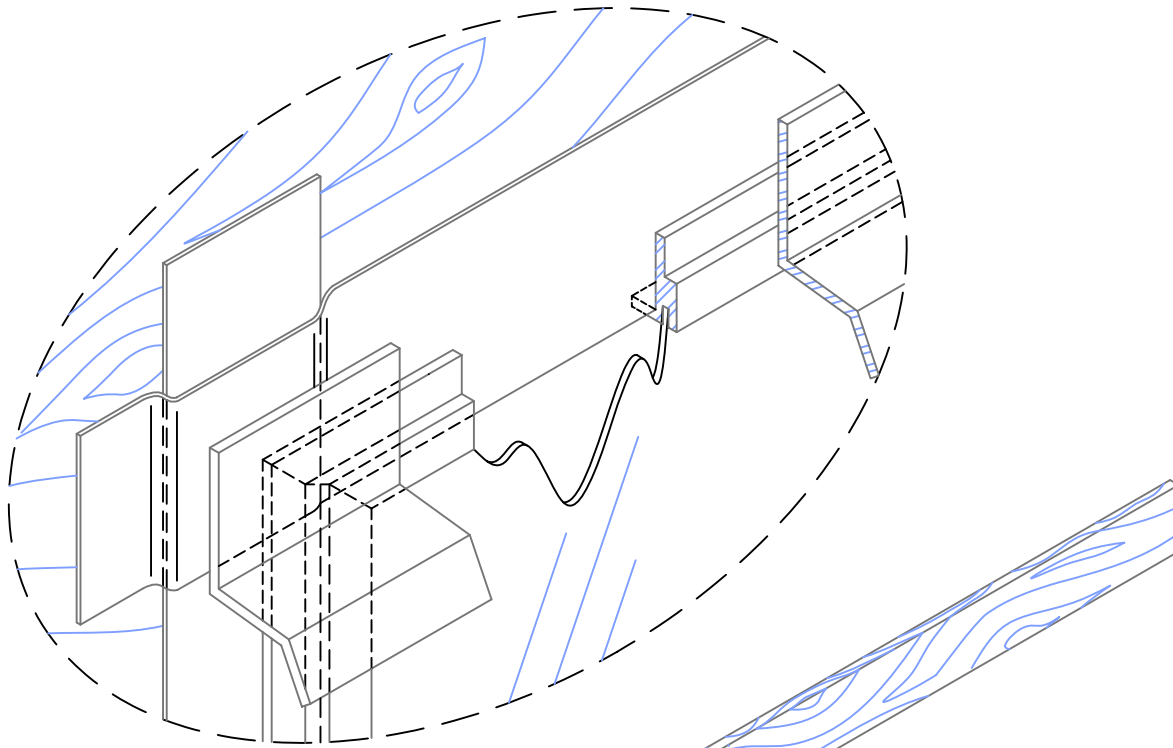
TEL: (604) 251-3955
FAX: (604) 251-3909

IMASCO MINERALS INC.



DWG NO

DATE JAN. 2001



IMASCO FINISH COAT

GREATWALL BASECOAT

STRUCTALATH

GENERIC DETAIL ONLY

Use of this design subject to approval for specific project

JULY 6, 2000 1:00pm

TITLE

TYPICAL FLANGE STYLE WINDOW PENETRATION

IMASCO ENGINEERING
IMASCO MINERALS INC.

ENGINEERING OFFICE
1975 MCLEAN DRIVE
VANCOUVER, B.C. V6N 3J7

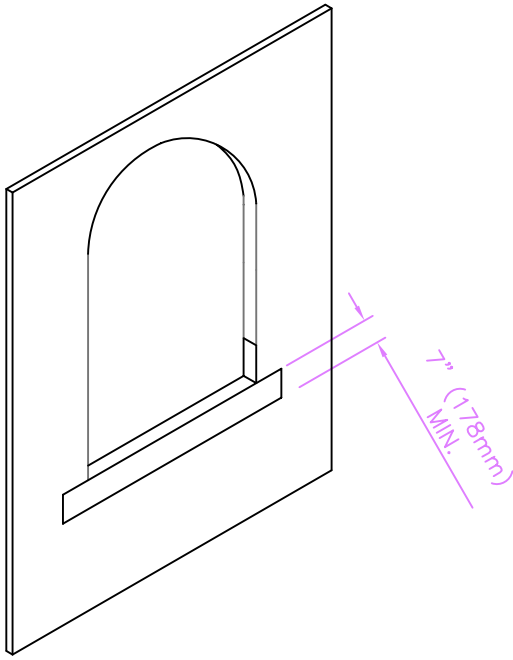
TEL: (604) 251-3955
FAX: (604) 251-3908



DWG NO

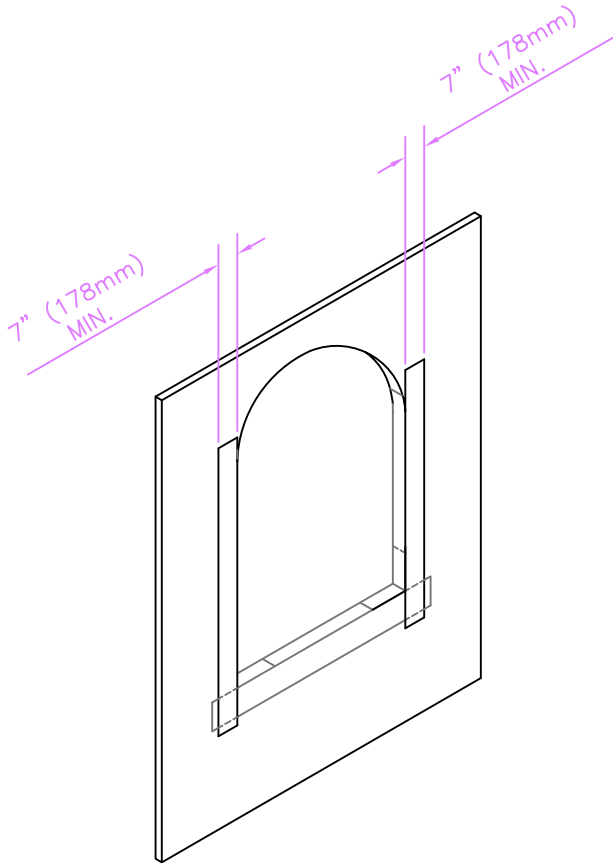
A1

DATE JULY 2000



STEP 1

LAP SILL FLASHING PAPER INTO ROUGH OPENING. SLIT BOTH ENDS MIN. 10". FOLD UP RIGHT AND LEFT ROUGH JAMB AND ALONG FACE.



STEP 2

LAP JAMB FLASHING PAPER INTO ROUGH OPENING. SLIT BOTTOM END MIN. 10", FOLD ONTO SILL FLASHING AND ALONG FACE.

GENERIC DETAIL ONLY

Use of this design subject to approval for specific project

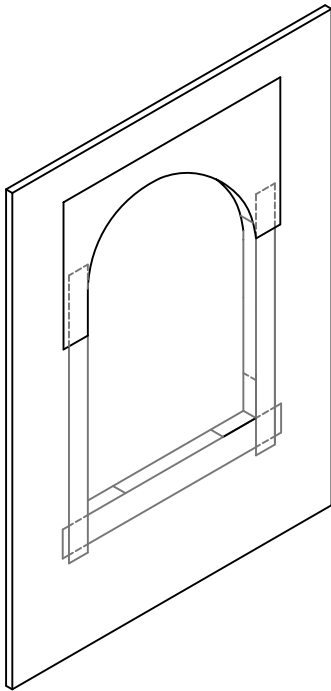
NOVEMBER 24, 2000 1:00pm

TITLE
 PREPARATION FOR WINDOW
 PENETRATION
 ARCHED TOP FLANGE STYLE WINDOW

IMASCO ENGINEERING
 IMASCO MINERALS INC.
 ENGINEERING OFFICE
 1975 MCLEAN DRIVE
 VANCOUVER, B.C. V6N 3J7
 TEL: (604) 251-3955
 FAX: (604) 251-3908

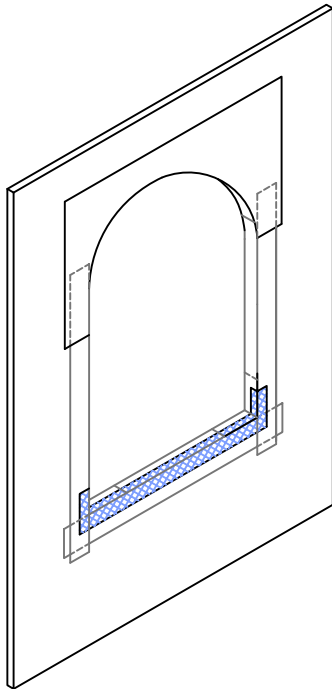


DWG NO
 A10-11
 DATE NOV. 2000



STEP 3a

INSTALL TOP FLASHING PAPER ON TOP EDGE OF ROUGH OPENING. ENSURE (FULL 4" MIN. OVERLAP) OF EACH SIDE FLASHING.



STEP 3b - Alternate

INSTALL SELF HEALING MEMBRANE TO SILL AND JAMB FLASHING PAPERS ENSURING ALL GAPS AND HOLES ARE SEALED. DO NOT APPLY SELF HEALING MEMBRANE ONTO SHEATHING.

GENERIC DETAIL ONLY

Use of this design subject to approval for specific project

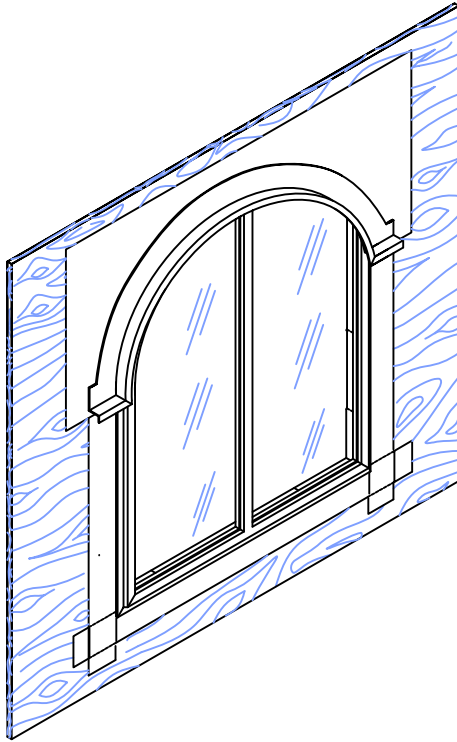
JANUARY 29, 2001 12:30pm

TITLE
**PREPARATION FOR WINDOW PENETRATION
 ARCHED TOP FLANGE STYLE WINDOW**

IMASCO ENGINEERING
 IMASCO MINERALS INC.
 ENGINEERING OFFICE
 1975 MCLEAN DRIVE
 VANCOUVER, B.C. V6N 3J7
 TEL: (604) 251-3955
 FAX: (604) 251-3908

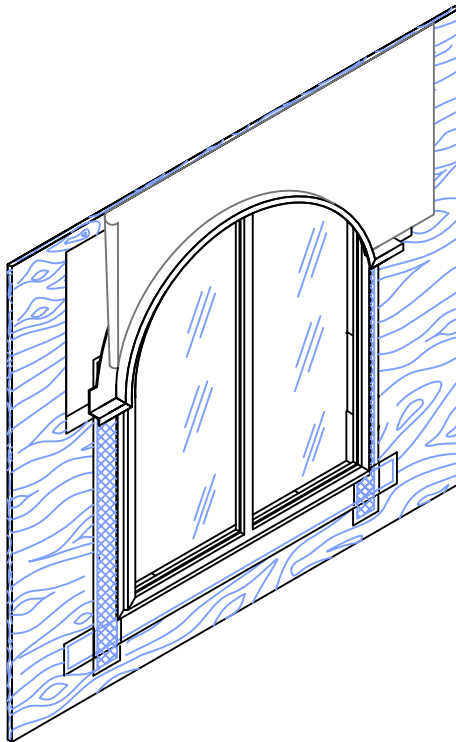


DWG NO
 A12-13
 DATE NOV. 2000



STEP 5a

INSTALL GALVANIZED METAL HEAD FLASHING OVER TOP OF WINDOW FLANGE. USE FLASHING FORMED TO SUIT WINDOW PROFILE. FLASHING TO HAVE HORIZONTAL SECTION WITH END DAMS.



STEP 5b (Alternate)

APPLY SELF HEALING MEMBRANE TO EACH WINDOW SIDE PRIOR TO METAL HEAD FLASHING. AFTER INSTALLING HEAD FLASHING, APPLY ONE STRIP OF SELF HEALING MEMBRANE OVER GALVANIZED METAL HEAD FLASHING EXTENDING UP ONTO BARE WOOD.

GENERIC DETAIL ONLY

Use of this design subject to approval for specific project

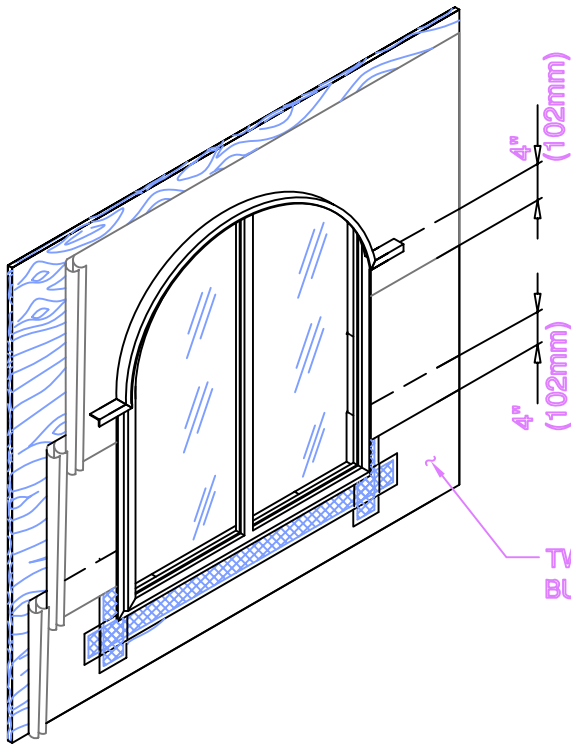
NOVEMBER 24, 2000 1:00pm

TITLE
 PREPARATION FOR WINDOW
 PENETRATION
 ARCHED TOP FLANGE STYLE WINDOW

IMASCO ENGINEERING
 IMASCO MINERALS INC.
 ENGINEERING OFFICE
 1975 MCLEAN DRIVE
 VANCOUVER, B.C. V6N 3J7
 TEL: (604) 251-3955
 FAX: (604) 251-3908



DWG NO
 A14
 DATE NOV 2000



TWO LAYERS OF 30 MINUTE BUILDING PAPER

STEP 7

INSTALL THESE SHEETS OF BUILDING PAPER UNDER FLASHING PAPER. BUILDING PAPER TO BE NOTCHED TO FIT TIGHTLY AROUND WINDOW FRAME PROFILE.

GENERIC DETAIL ONLY

Use of this design subject to approval for specific project

JULY 6, 2000 1:00pm

TITLE

TYPICAL FLANGE STYLE ROUND WINDOW PEETRATION

IMASCO ENGINEERING
IMASCO MINERALS INC.

ENGINEERING OFFICE
1975 MCLEAN DRIVE
VANCOUVER, B.C. V6N 3J7

TEL: (604) 251-3955
FAX: (604) 251-3908

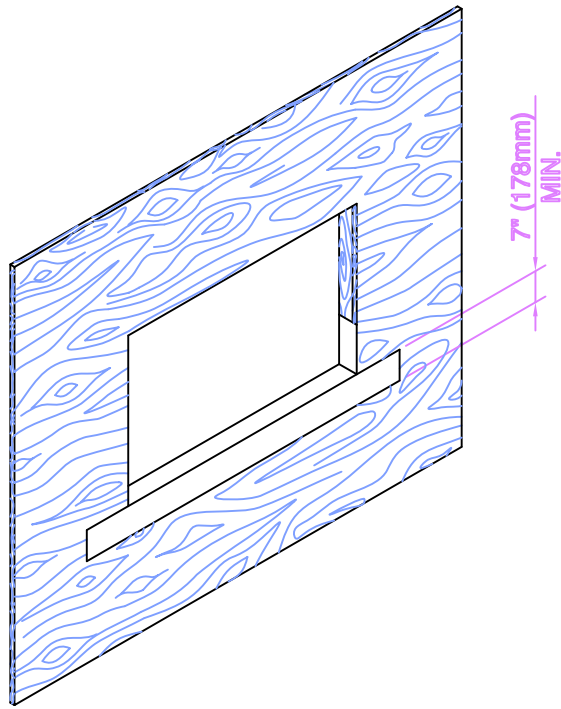
IMASCO MINERALS INC.



DWG NO

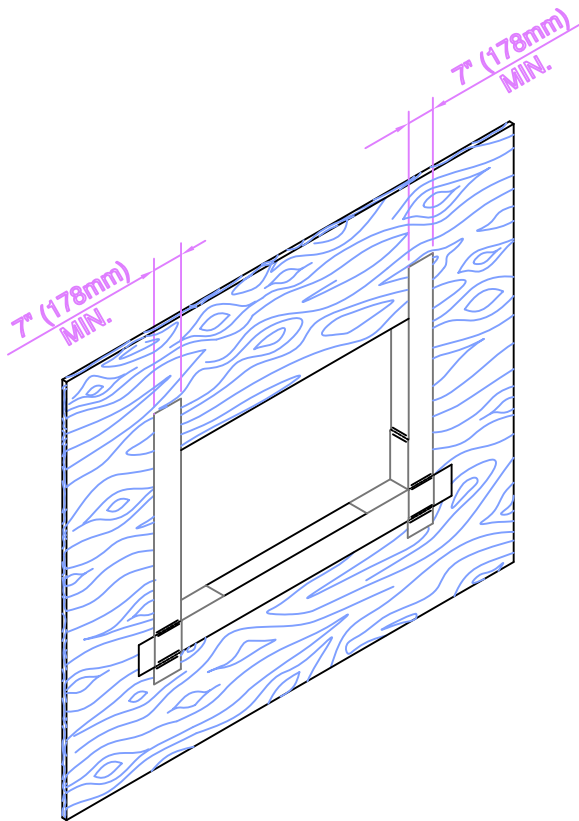
A16

DATE JULY 2000



STEP 1

LAP SILL FLASHING PAPER INTO ROUGH OPENING. SLIT BOTH ENDS MIN. 10", FOLD UP RIGHT AND LEFT ROUGH JAMB AND ALONG FACE.



STEP 2

LAP JAMB FLASHING PAPER INTO ROUGH OPENING. SLIT BOTTOM END MIN. 10", FOLD ONTO SILL FLASHING AND ALONG FACE.

GENERIC DETAIL ONLY

Use of this design subject to approval for specific project

JULY 6, 2000 1:00pm

TITLE

TYPICAL FLANGE STYLE
WINDOW PENETRATION

IMASCO ENGINEERING
IMASCO MINERALS INC.

ENGINEERING OFFICE
1975 MCLEAN DRIVE
VANCOUVER, B.C. V6N 3J7

TEL: (604) 251-3955
FAX: (604) 251-3908

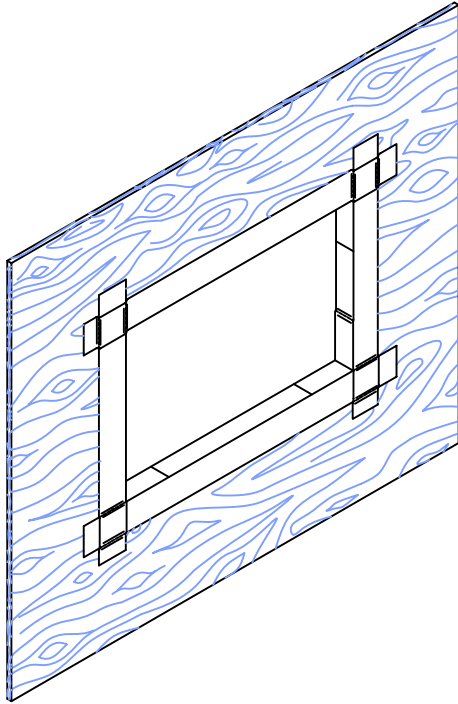
IMASCO MINERALS INC.



DWG NO

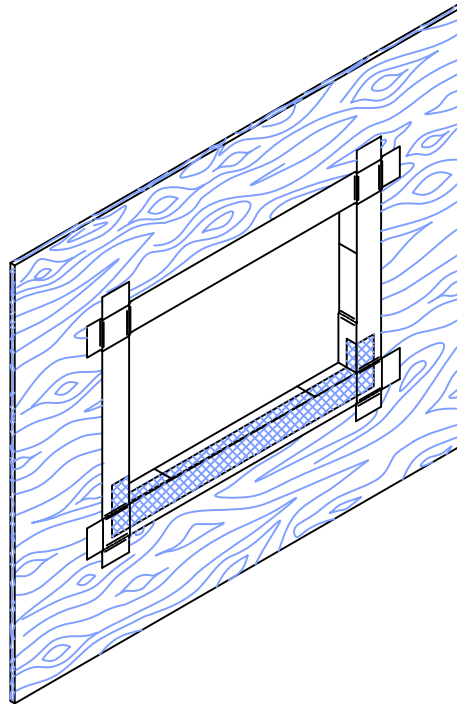
A2-A3

DATE JULY 2000



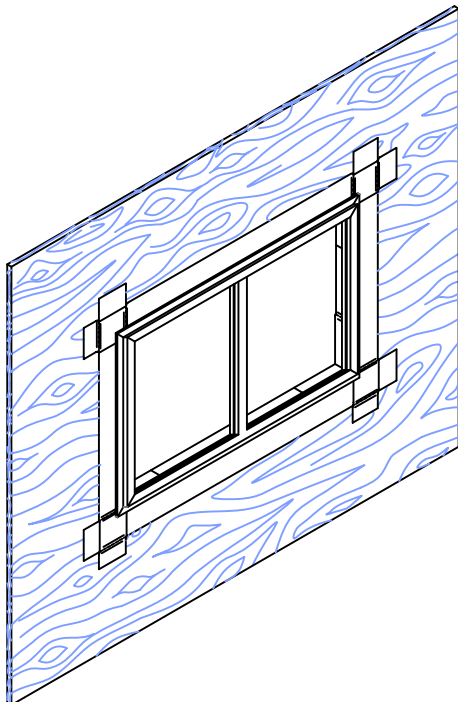
STEP 3a

INSTALL TOP FLASHING PAPER ON TOP EDGE OF ROUGH OPENING. ENSURE FULL OVERLAP OF EACH SIDE FLASHING.



STEP 3b-(Alternate)

INSTALL SELF HEALING MEMBRANE TO SILL AND JAMB FLASHING PAPERS ENSURE ALL GAPS AND HOLES ARE SEALED. DO NOT APPLY SELF ADHERING MEMBRANE ONTO SHEATHING.



STEP 4

INSTALL WINDOW ON PROPERLY FLASHED OPENING.

NOTE:

PROVIDE CAULKING AS PER NBC 9.27.4

GENERIC DETAIL ONLY

Use of this design subject to approval for specific project

JULY 6, 2000 1:00pm

TITLE
TYPICAL FLANGE STYLE WINDOW PENETRATION

IMASCO ENGINEERING
 IMASCO MINERALS INC.

ENGINEERING OFFICE
 1975 MCLEAN DRIVE
 VANCOUVER, B.C. V5N 3J7

TEL: (604) 251-3955
 FAX: (604) 251-3909

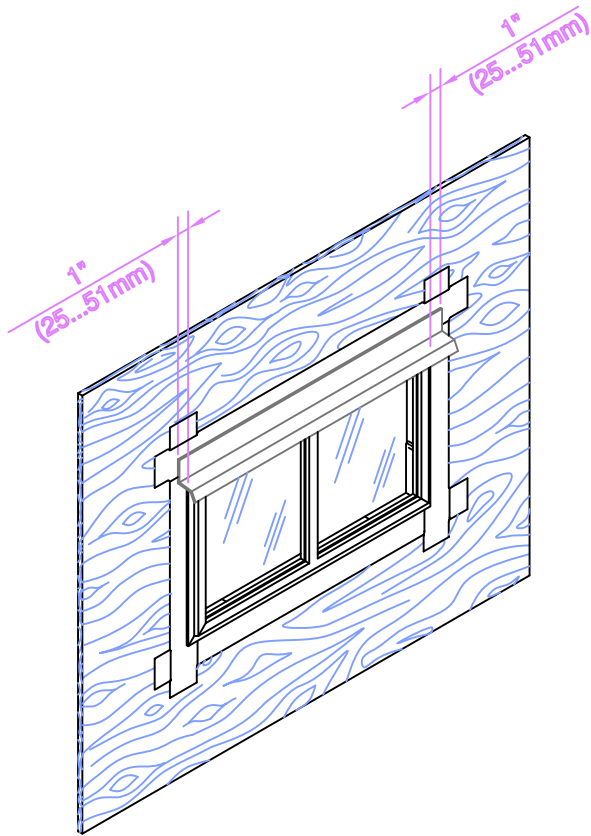


IMASCO MINERALS INC.

DWG NO

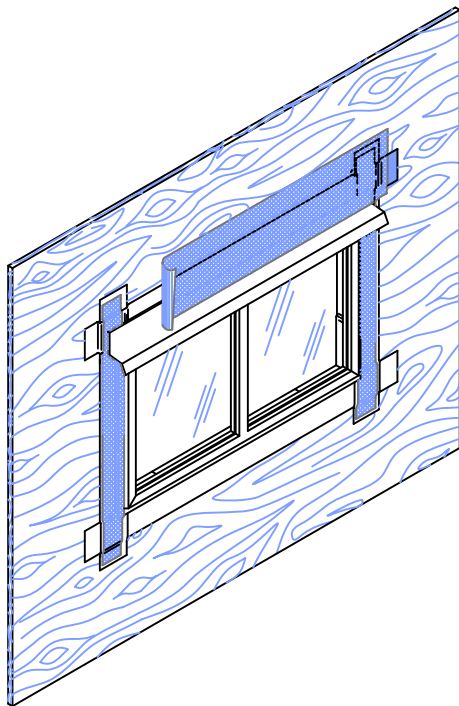
A4-A5

DATE **JULY 2000**



STEP 5a

INSTALL GALVANIZED METAL HEAD FLASHING OVER TOP OF WINDOW FLANGE, ENSURE FLASHING EXTENDS PAST EACH SIDE OF WINDOW FRAME 1".



STEP 5b-(Alternate)

APPLY SELF HEALING MEMBRANE TO EACH OF WINDOW SIDES PRIOR TO METAL HEAD FLASHING. AFTER INSTALLING HEAD FLASHING, APPLY ONE STRIP OF SELF HEALING MEMBRANE OVER GALVANIZED METAL HEAD FLASHING EXTENDING UP ONTO BARE WOOD.

JULY 6, 2000 1:00pm

TITLE

TYPICAL FLANGE STYLE WINDOW PENETRATION

IMASCO ENGINEERING
IMASCO MINERALS INC.

ENGINEERING OFFICE
1975 MCLEAN DRIVE
VANCOUVER, B.C. V6N 3J7

TEL: (604) 251-3955
FAX: (604) 251-3908

IMASCO MINERALS INC.



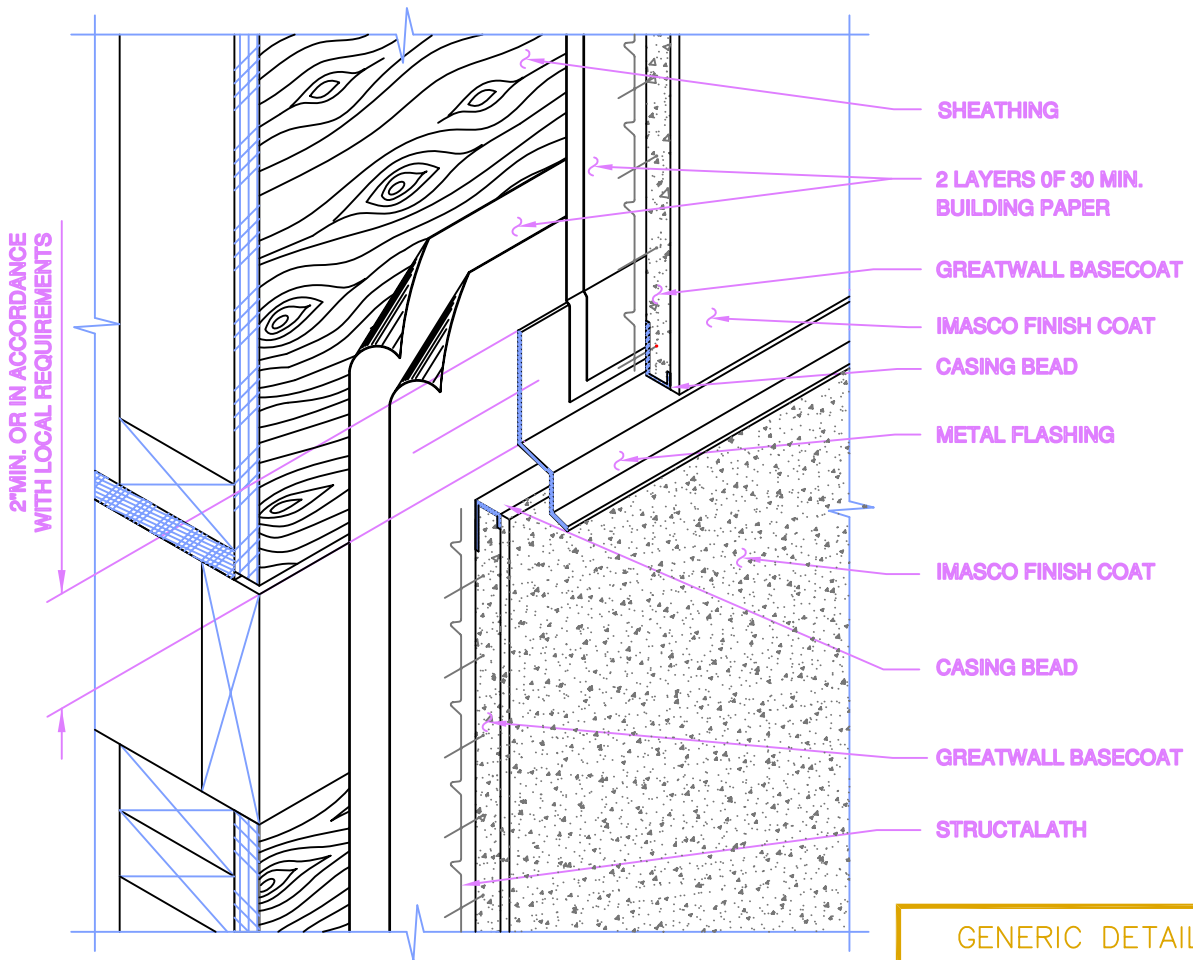
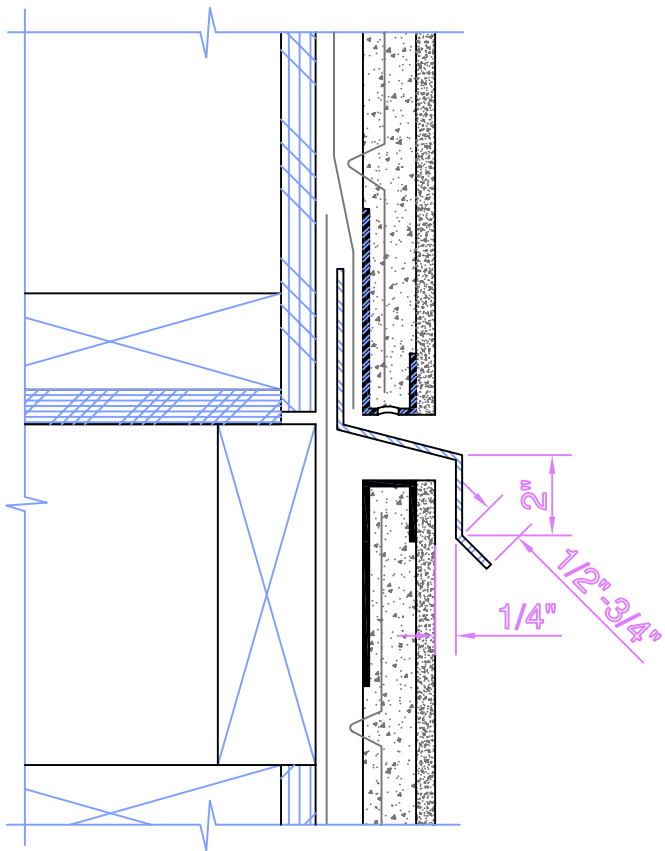
DWG NO

A6

DATE JULY 2000

GENERIC DETAIL ONLY

Use of this design subject to approval for specific project



- SHEATHING
- 2 LAYERS OF 30 MIN. BUILDING PAPER
- GREATWALL BASECOAT
- IMASCO FINISH COAT
- CASING BEAD
- METAL FLASHING
- IMASCO FINISH COAT
- CASING BEAD
- GREATWALL BASECOAT
- STRUCTALATH

GENERIC DETAIL ONLY
 Use of this design subject to approval for specific project

NOVEMBER 24, 2000 1:00pm

TITLE

HORIZONTAL CONTROL JOINT THROUGH WALL FLASHING

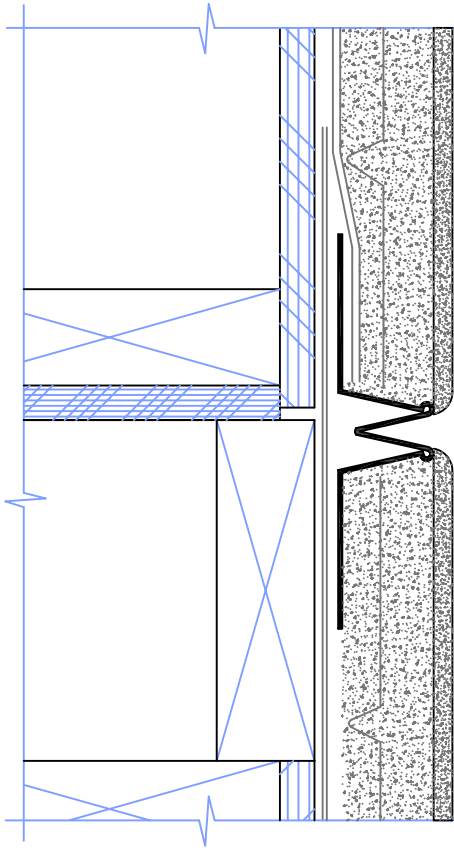
IMASCO ENGINEERING
 IMASCO MINERALS INC.

ENGINEERING OFFICE
 1975 MCLEAN DRIVE
 VANCOUVER, B.C. V6N 3J7

TEL: (604) 251-3955
 FAX: (604) 251-3908

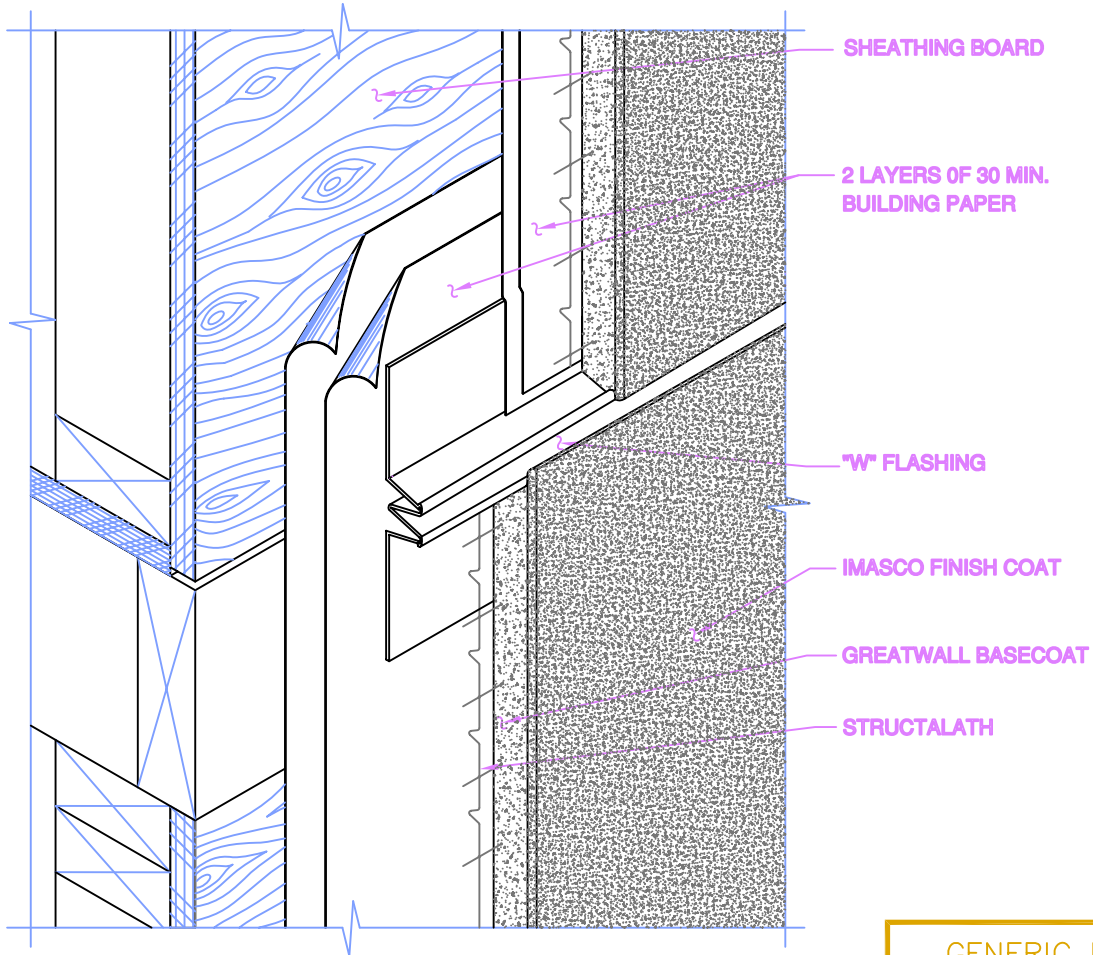


DWG NO
C1
 DATE
NOV. 2000



NOTES:

1. ONLY BE USED WHERE WOOD SHRINKAGE WILL BE MINIMUM - THIS JOINT WILL NOT ACCOMMODATE SHRINKAGE BEYOND 1/4" TO 3/8".
2. JOINTS TO BE PROPERLY SEALED
3. ENSURE 'W' FLASHING IS FILLED WITH BASECOAT TO FULL THICKNESS. FINISH COAT TO FULLY COVER THE FLASHING.
4. UNEVEN FRAMING TO BE INSPECTED



GENERIC DETAIL ONLY

Use of this design subject to approval for specific project

NOVEMBER 24, 2000 1:30pm

TITLE
**HORIZONTAL CONTROL JOINT
 'W' FLASHING**

IMASCO ENGINEERING
 IMASCO MINERALS INC.

ENGINEERING OFFICE
 1975 MCLEAN DRIVE
 VANCOUVER, B.C. V6N 3J7

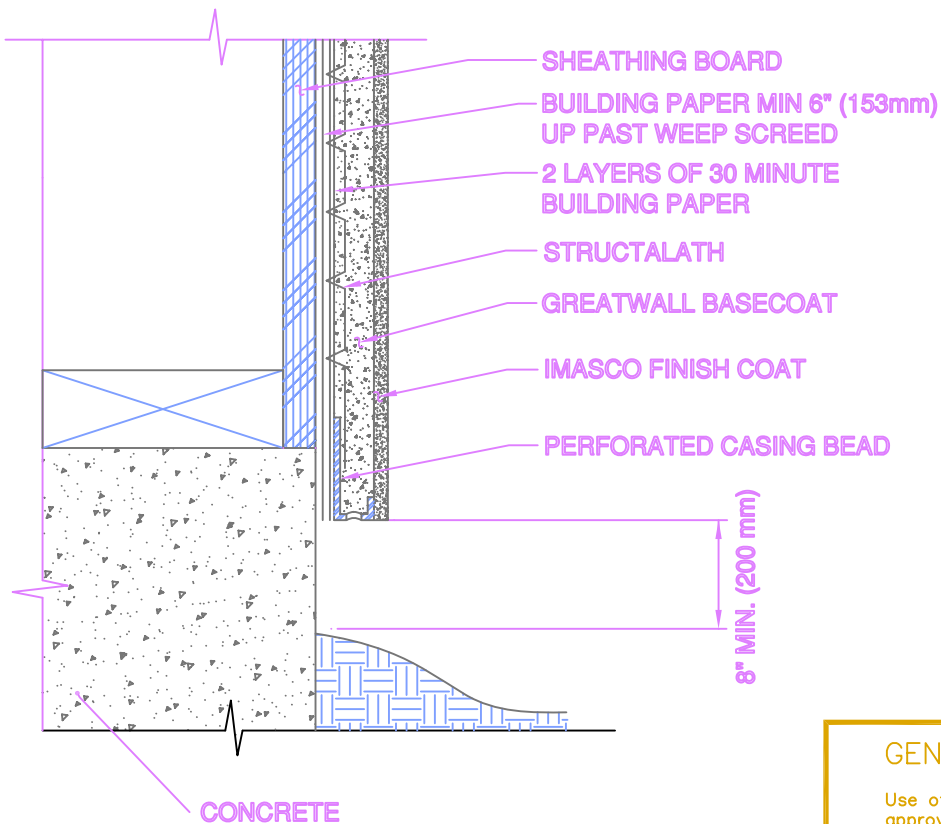
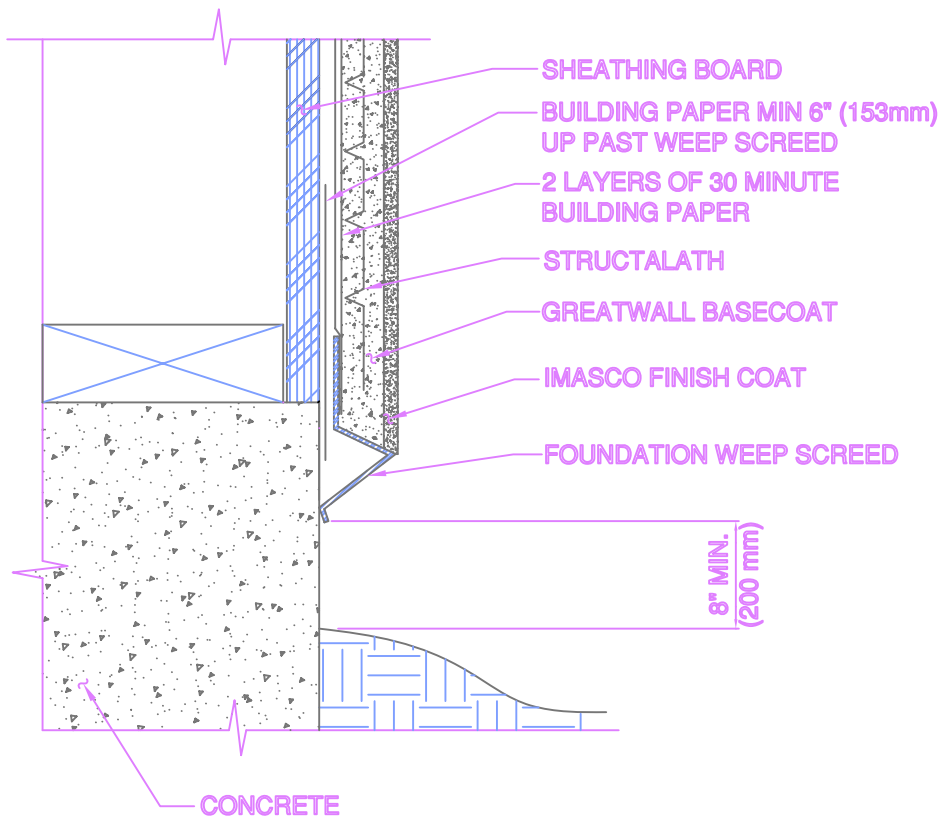
TEL: (604) 251-3955
 FAX: (604) 251-3908



DWG NO

C2

DATE NOV. 2000



GENERIC DETAIL ONLY
 Use of this design subject to approval for specific project

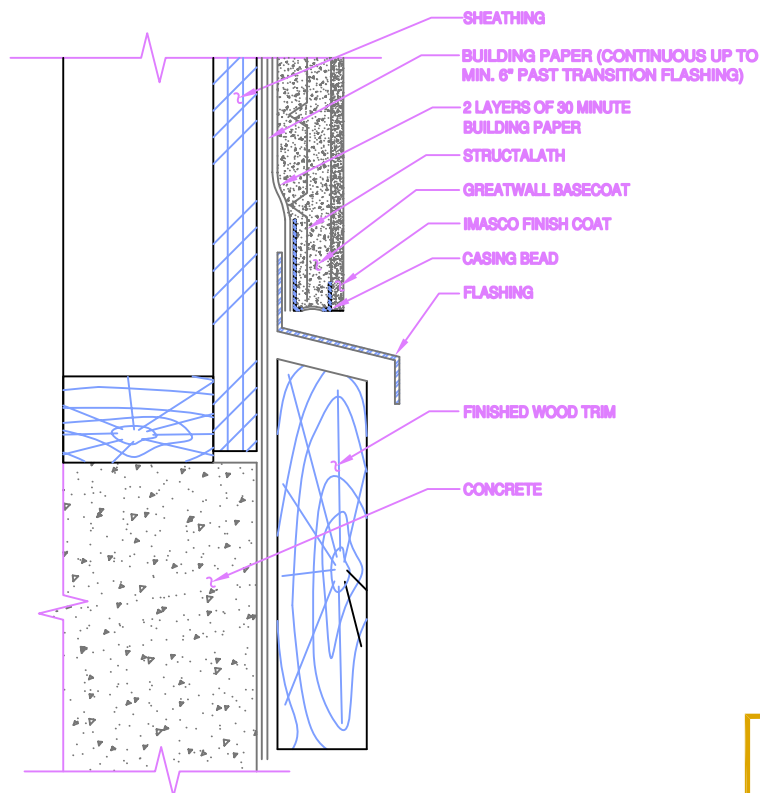
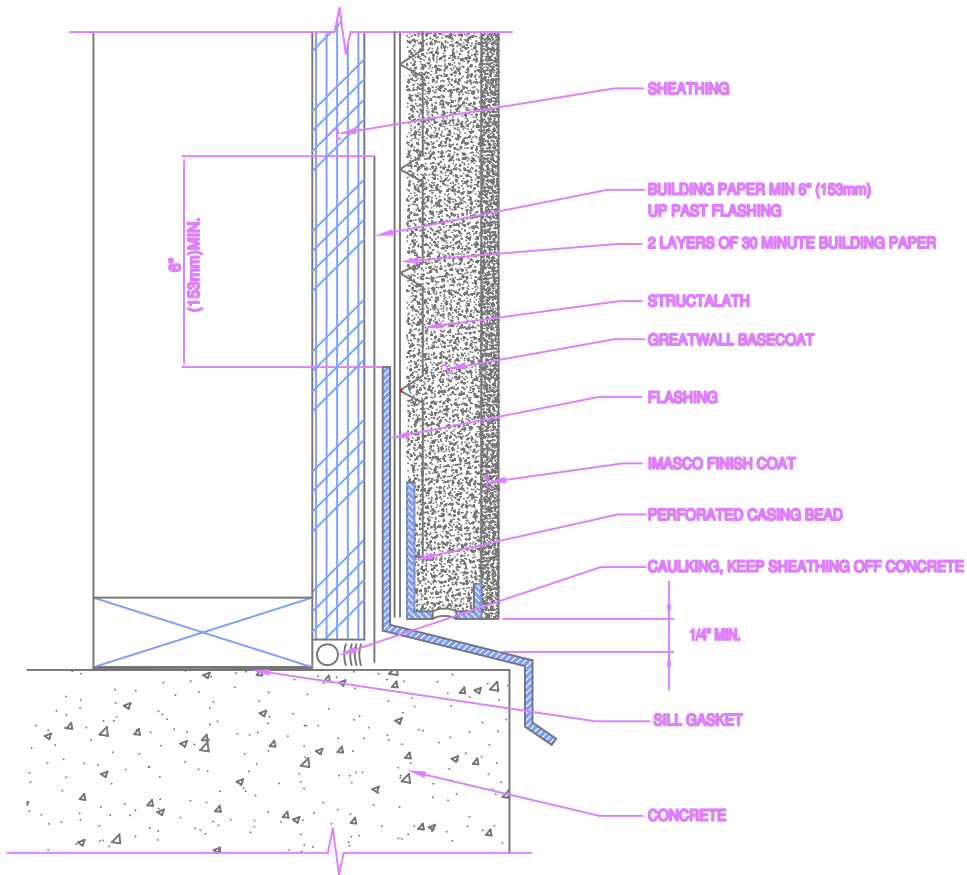
JULY 6, 2000 1:00pm

TITLE
WEEP SCREEN AT CONCRETE 1
CASING BEAD AT CONCRETE

IMASCO ENGINEERING
 IMASCO MINERALS INC.
 ENGINEERING OFFICE
 1975 MCLEAN DRIVE
 VANCOUVER, B.C. V5N 3J7
 TEL: (604) 251-3955
 FAX: (604) 251-3909



DWG NO
D1-D2
 DATE
JULY 2000



GENERIC DETAIL ONLY

Use of this design subject to approval for specific project

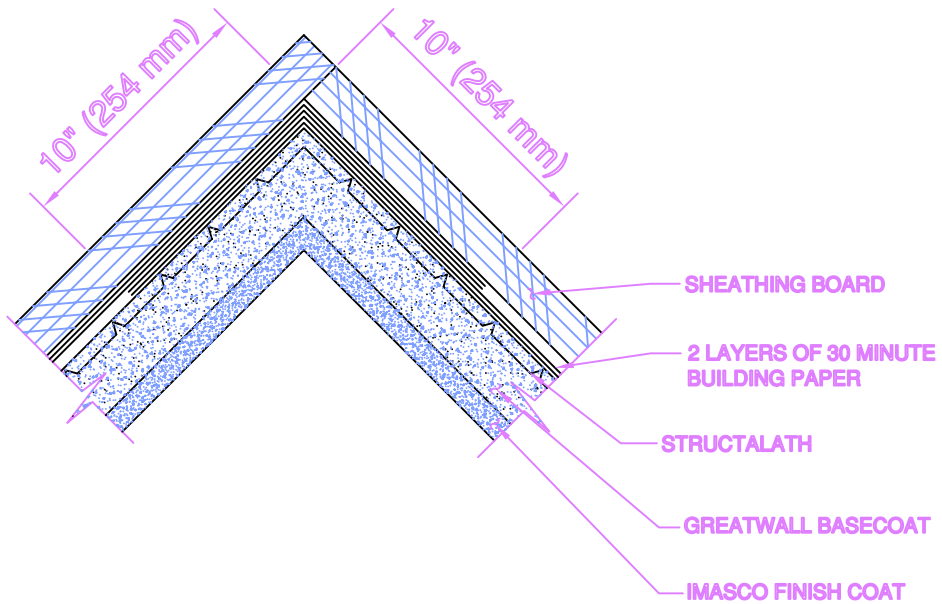
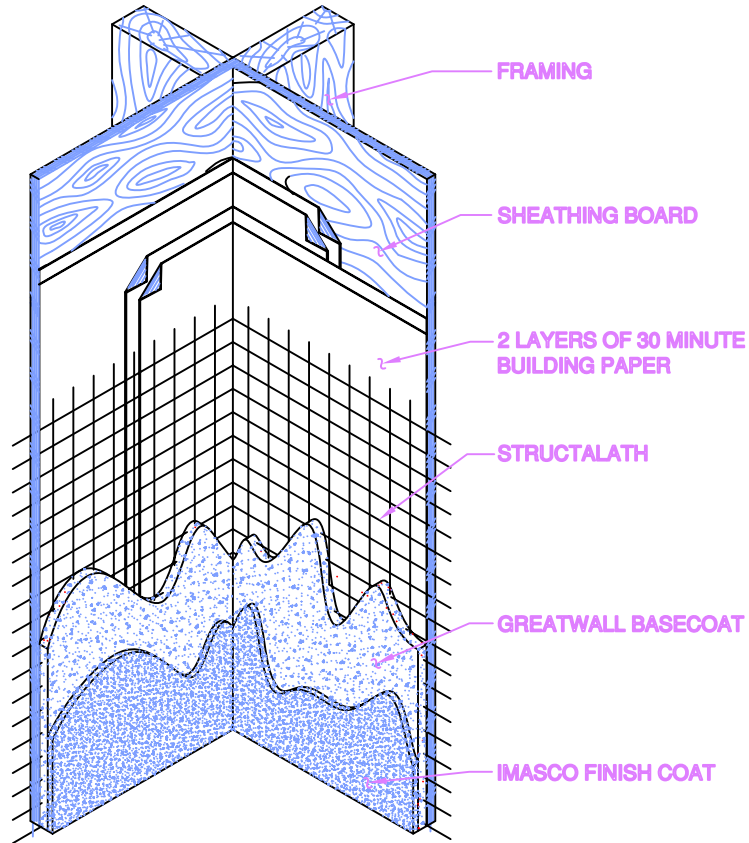
JULY 6, 2000 1:00pm

TITLE
**CASING BEAD
 FLASHING AT CONCRETE
 WOOD TRIM AT CONCRETE**

IMASCO ENGINEERING
 IMASCO MINERALS INC.
 ENGINEERING OFFICE
 1975 MCLEAN DRIVE
 VANCOUVER, B.C. V6N 3J7
 TEL: (604) 251-3955
 FAX: (604) 251-3908



DWG NO
D3-D4
 DATE
JULY 2000



GENERIC DETAIL ONLY

Use of this design subject to approval for specific project

JULY 6, 2000 1:00pm

TITLE INTERIOR CORNER

IMASCO ENGINEERING
IMASCO MINERALS INC.

ENGINEERING OFFICE
1975 MCLEAN DRIVE
VANCOUVER, B.C. V6N 3J7

TEL: (604) 251-3955
FAX: (604) 251-3908

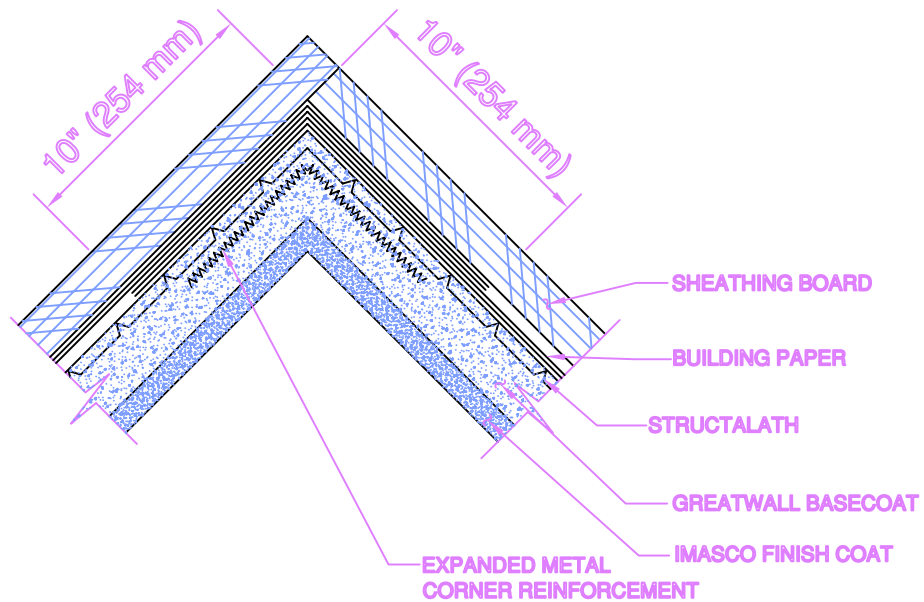
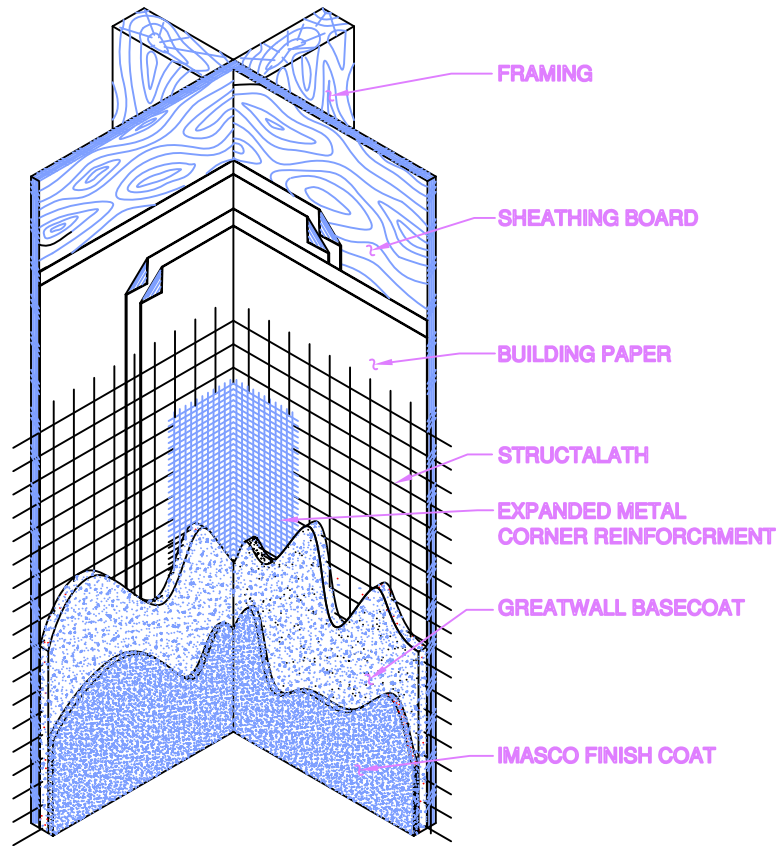
IMASCO MINERALS INC.



DWG NO

E1

DATE JULY 2000



JULY 6, 2000 1:00pm

TITLE

INTERIOR CORNER
CORNER LATH ALTERNATE

IMASCO ENGINEERING
IMASCO MINERALS INC.

ENGINEERING OFFICE
1975 MCLEAN DRIVE
VANCOUVER, B.C. V6N 3J7

TEL: (604) 251-3955
FAX: (604) 251-3908



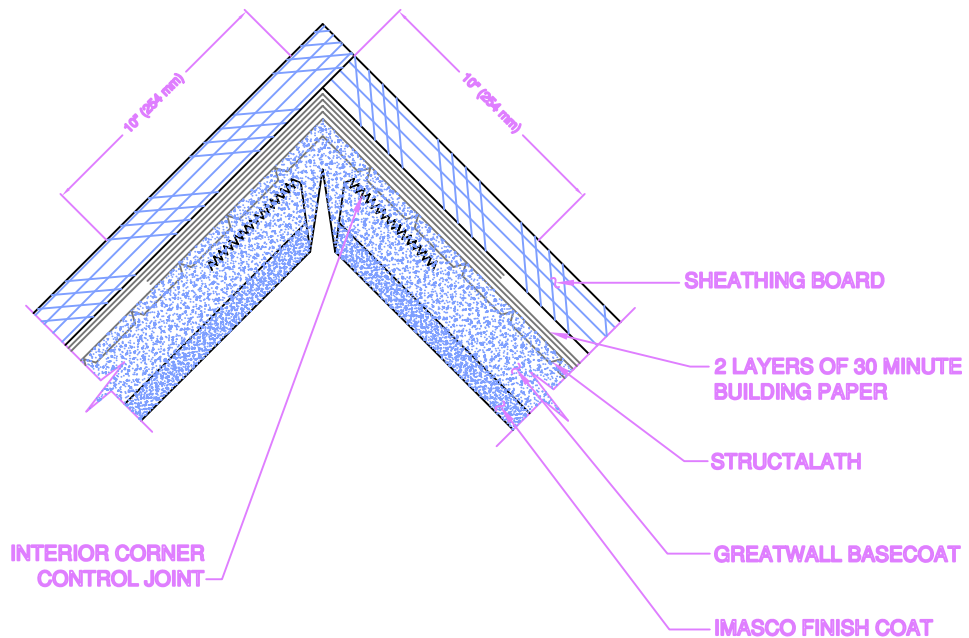
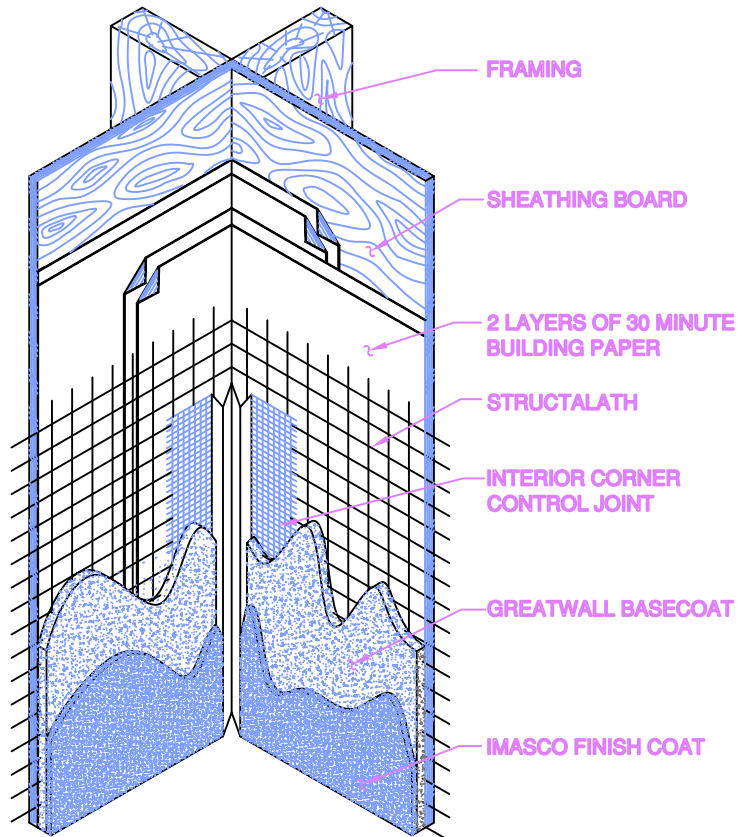
GENERIC DETAIL ONLY

Use of this design subject to approval for specific project

DWG NO

E2

DATE JULY 2000



GENERIC DETAIL ONLY

Use of this design subject to approval for specific project

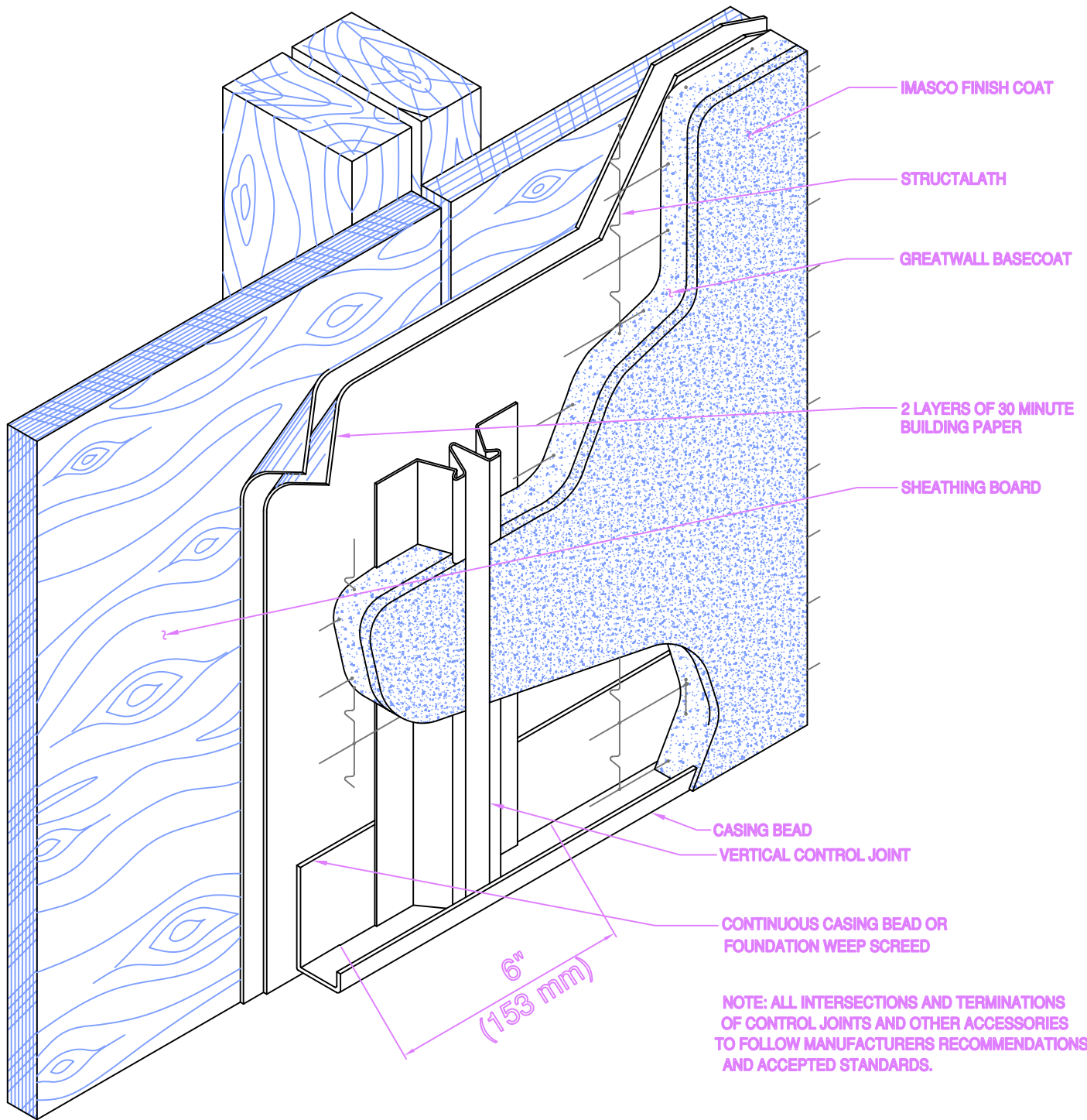
JULY 6, 2000 1:00pm

TITLE
**INTERIOR CORNER
 CONTROL JOINT ALTERNATE**

IMASCO ENGINEERING
 IMASCO MINERALS INC.
 ENGINEERING OFFICE
 1975 MCLEAN DRIVE
 VANCOUVER, B.C. V6N 3J7
 TEL: (604) 251-3955
 FAX: (604) 251-3908



DWG NO
E3
 DATE **JULY 2000**



GENERIC DETAIL ONLY

Use of this design subject to approval for specific project

JANUARY 29, 2001 1:00pm

TITLE VERTICAL CONTROL JOINT

IMASCO ENGINEERING
IMASCO MINERALS INC.

ENGINEERING OFFICE
1975 MCLEAN DRIVE
VANCOUVER, B.C. V6N 3J7

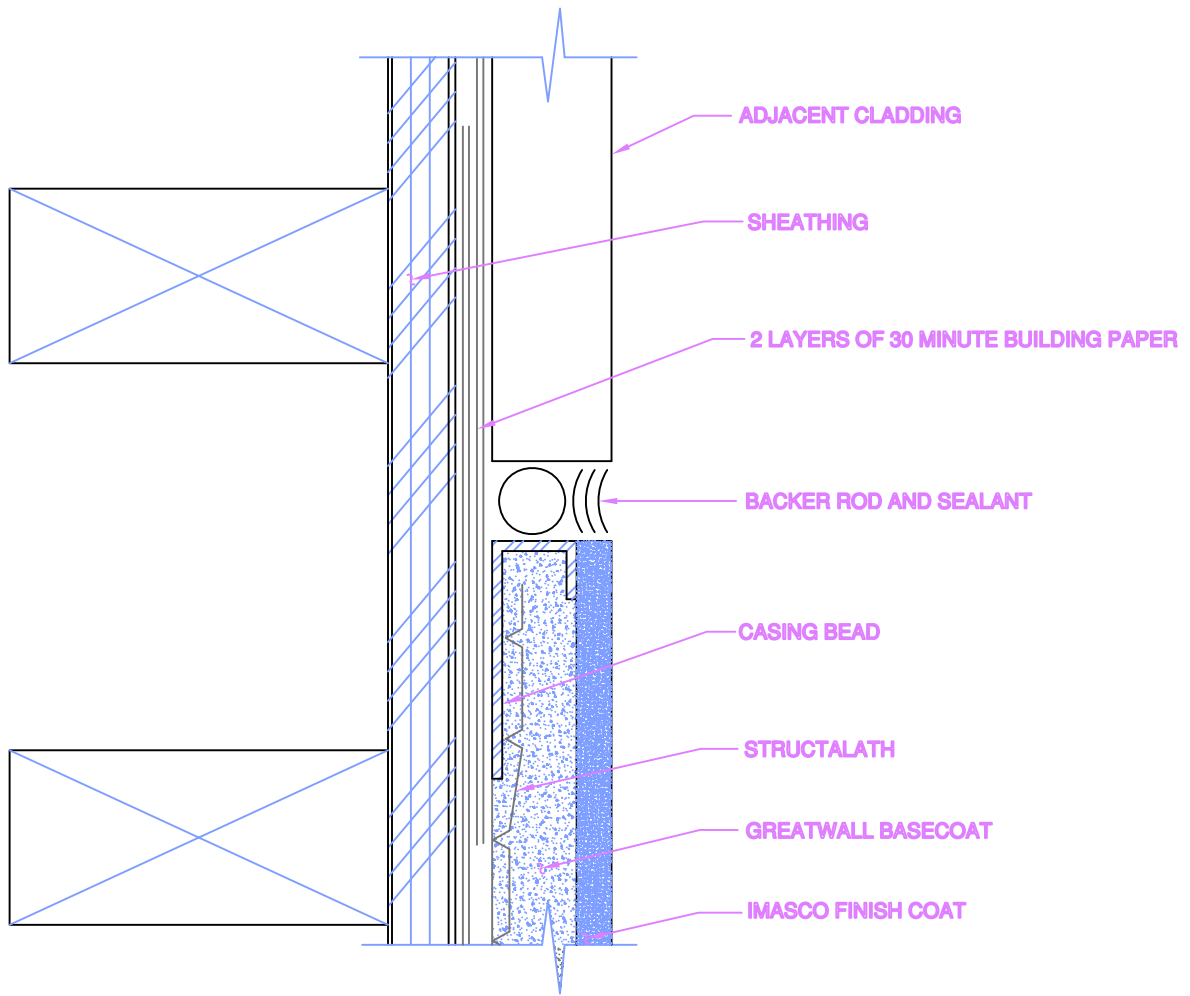
TEL: (604) 251-3955
FAX: (604) 251-3908



DWG NO

F1

DATE NOV. 2000



PLAN VIEW

GENERIC DETAIL ONLY

Use of this design subject to approval for specific project

JULY 6, 2000 1:00pm

TITLE

VERTICAL JOINT
STUCCO TO OTHER CLADDING

IMASCO ENGINEERING
IMASCO MINERALS INC.

ENGINEERING OFFICE
1975 MCLEAN DRIVE
VANCOUVER, B.C. V6N 3J7

TEL: (604) 251-3955
FAX: (604) 251-3908

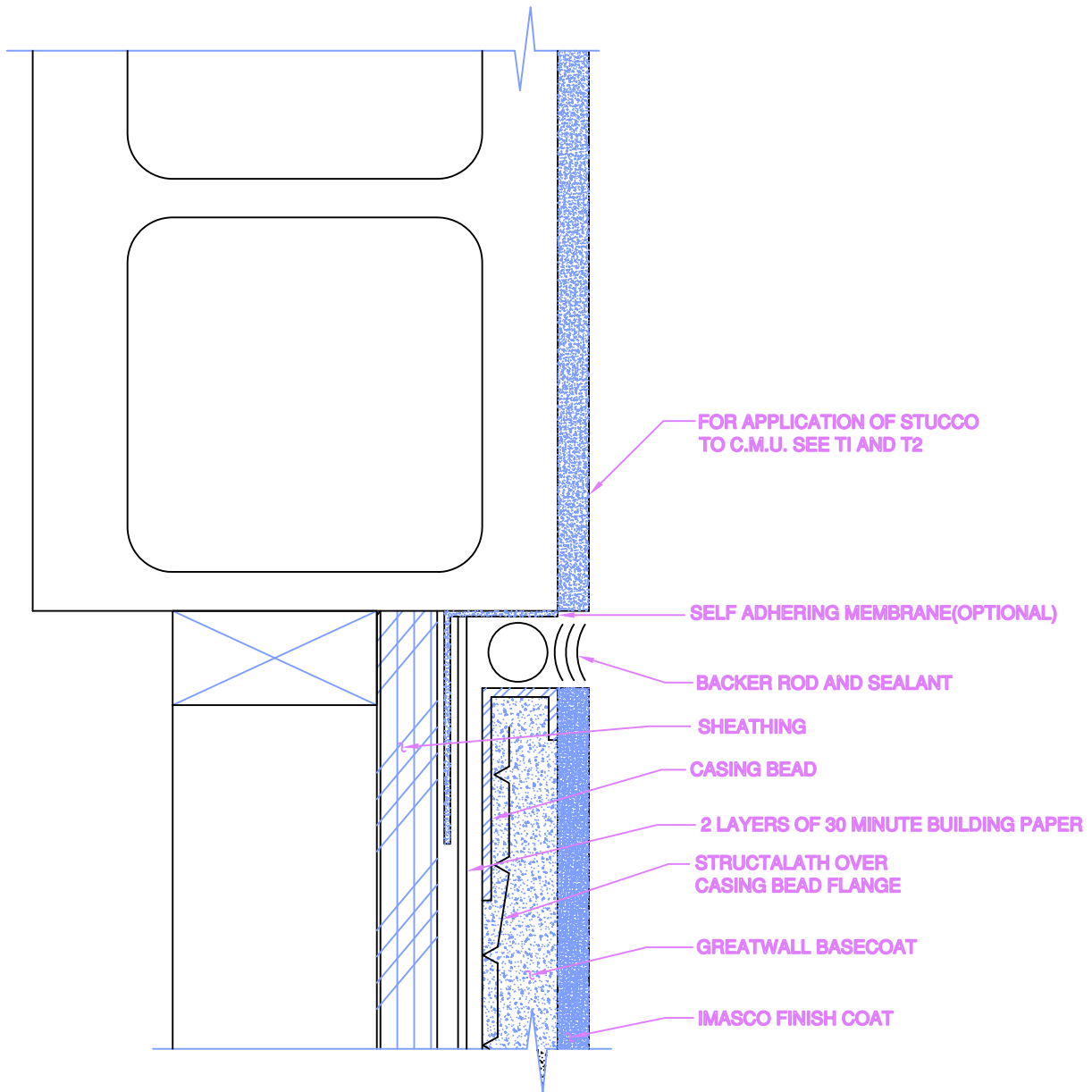
IMASCO MINERALS INC.



DWG NO

F2

DATE JULY 2000



NOTE:
FRAMING DETAIL OF STUD WALL
TO MASONRY WALL BY OTHERS.

GENERIC DETAIL ONLY

Use of this design subject to
approval for specific project

JULY 6, 2000 1:00pm

TITLE **VERTICAL JOINT C.M.U. (FLUSH)**

IMASCO ENGINEERING
IMASCO MINERALS INC.

ENGINEERING OFFICE
1975 MCLEAN DRIVE
VANCOUVER, B.C. V5N 3J7

TEL: (604) 251-3955
FAX: (604) 251-3909

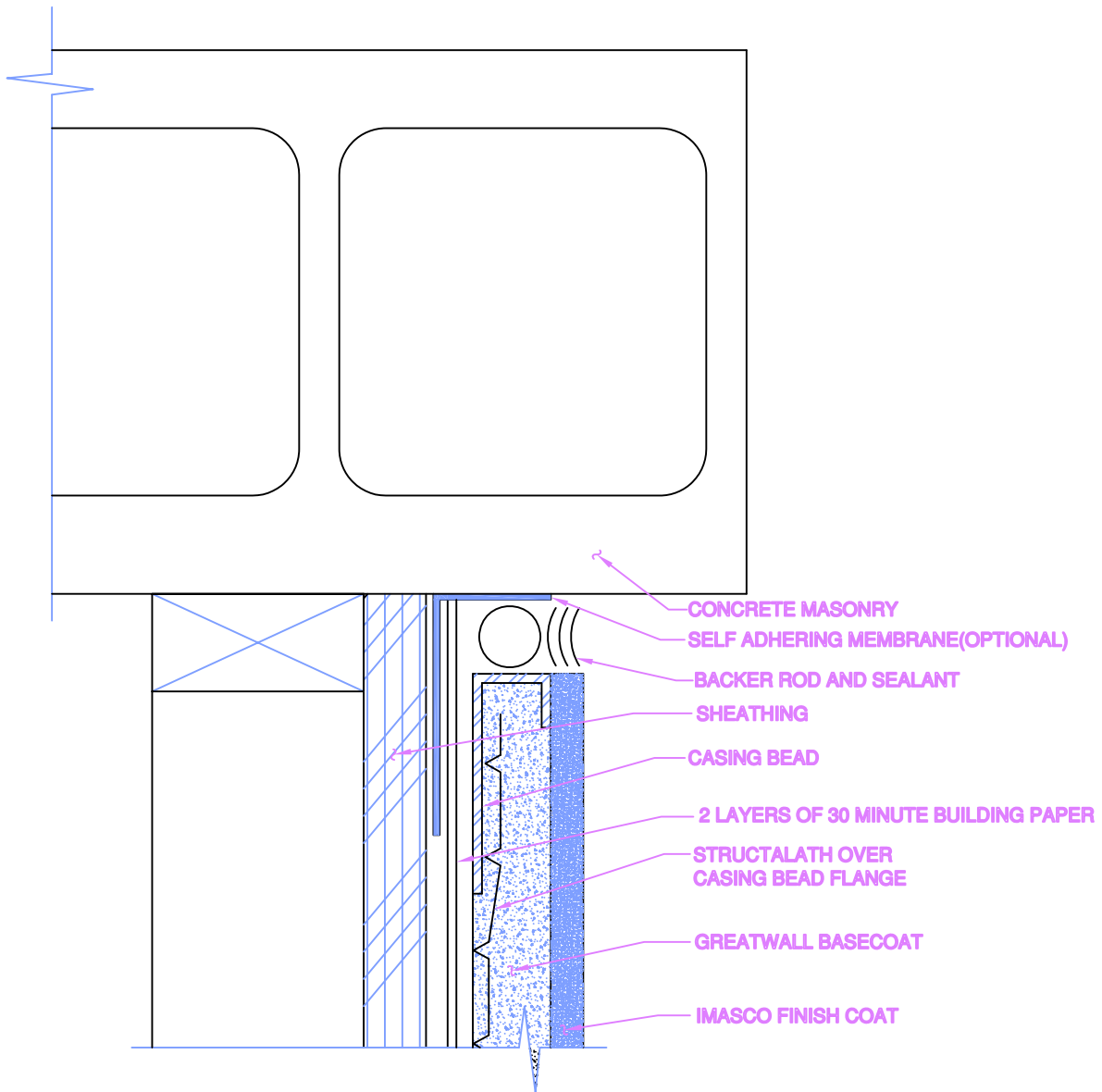
IMASCO MINERALS INC.



DWG NO

F3

DATE **JULY 2000**



NOTE:
FRAMING DETAIL OF STUD WALL
TO MASONRY WALL BY OTHERS.

GENERIC DETAIL ONLY

Use of this design subject to
approval for specific project

JULY 6, 2000 1:00pm

TITLE
VERTICAL JOINT C.M.U.

IMASCO ENGINEERING
IMASCO MINERALS INC.

ENGINEERING OFFICE
1975 MCLEAN DRIVE
VANCOUVER, B.C. V5N 3J7

TEL: (604) 251-3955
FAX: (604) 251-3909

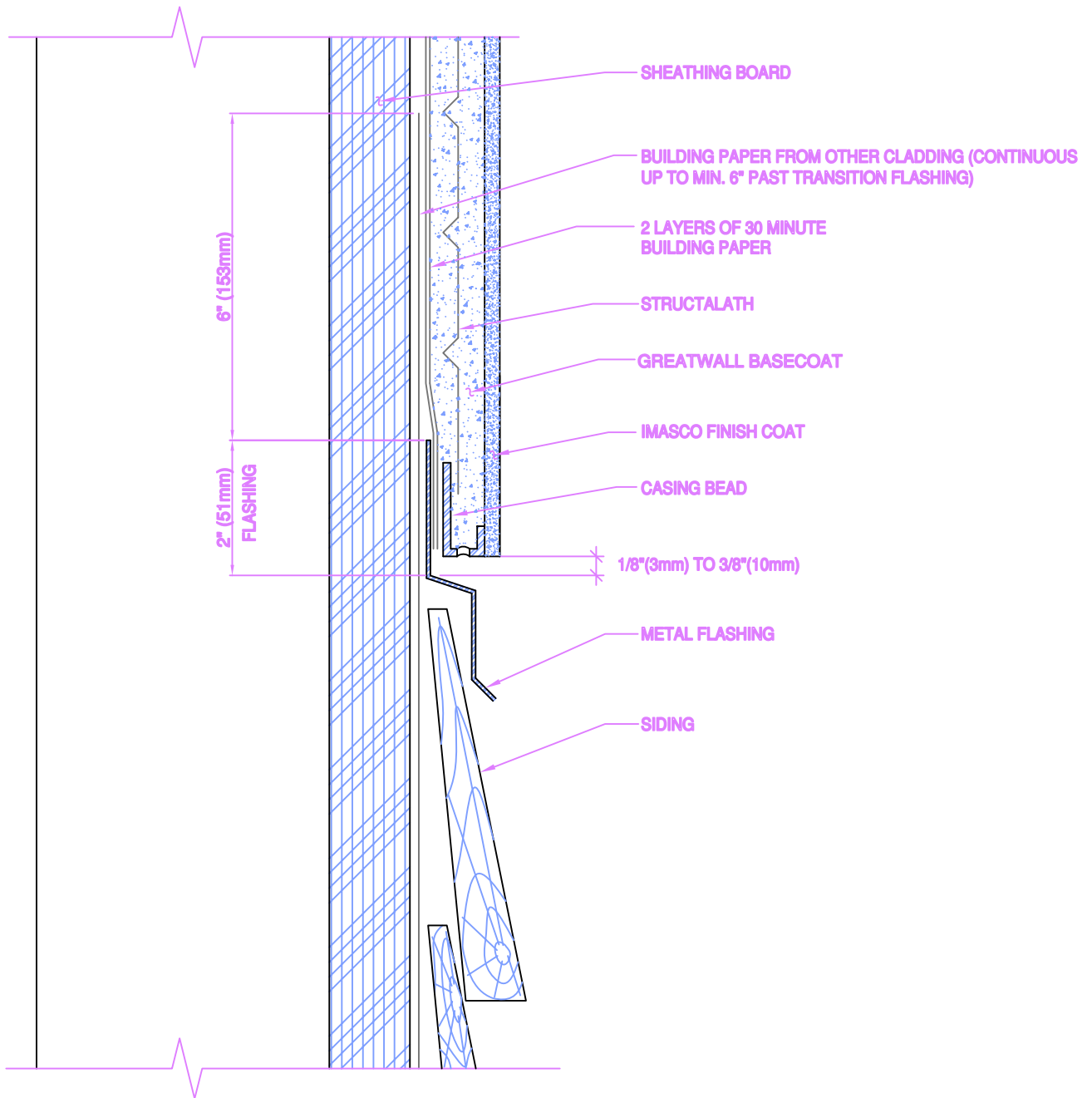
IMASCO MINERALS INC.



DWG NO

F4

DATE JULY 2000



GENERIC DETAIL ONLY

Use of this design subject to approval for specific project

JULY 6, 2000 1:00pm

TITLE
**STUCCO 1 OTHER CLADDING
 HORIZONTAL JOINT**

IMASCO ENGINEERING
 IMASCO MINERALS INC.

ENGINEERING OFFICE
 1975 MCLEAN DRIVE
 VANCOUVER, B.C. V5N 3J7

TEL: (604) 251-3955
 FAX: (604) 251-3909

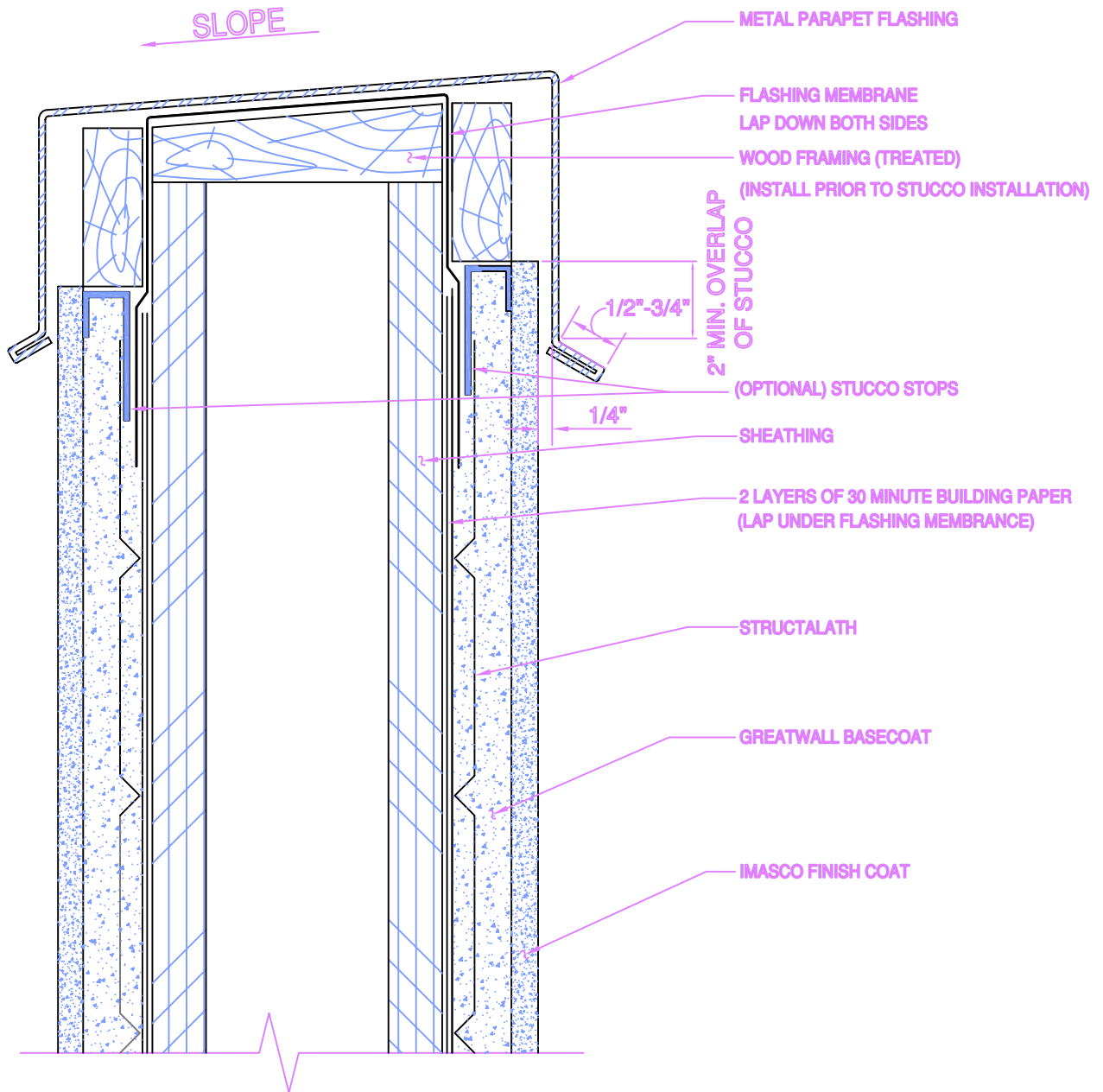
IMASCO MINERALS INC.



DWG NO

G1

DATE **JULY 2000**



NOVEMBER 24, 2000 2:00pm

TITLE **TERMINATION AT PARAPET**

IMASCO ENGINEERING
IMASCO MINERALS INC.

ENGINEERING OFFICE
1975 MOLEAN DRIVE
VANCOUVER, B.C. V5N 3J7

TEL: (604) 251-3955
FAX: (604) 251-3909

IMASCO MINERALS INC.



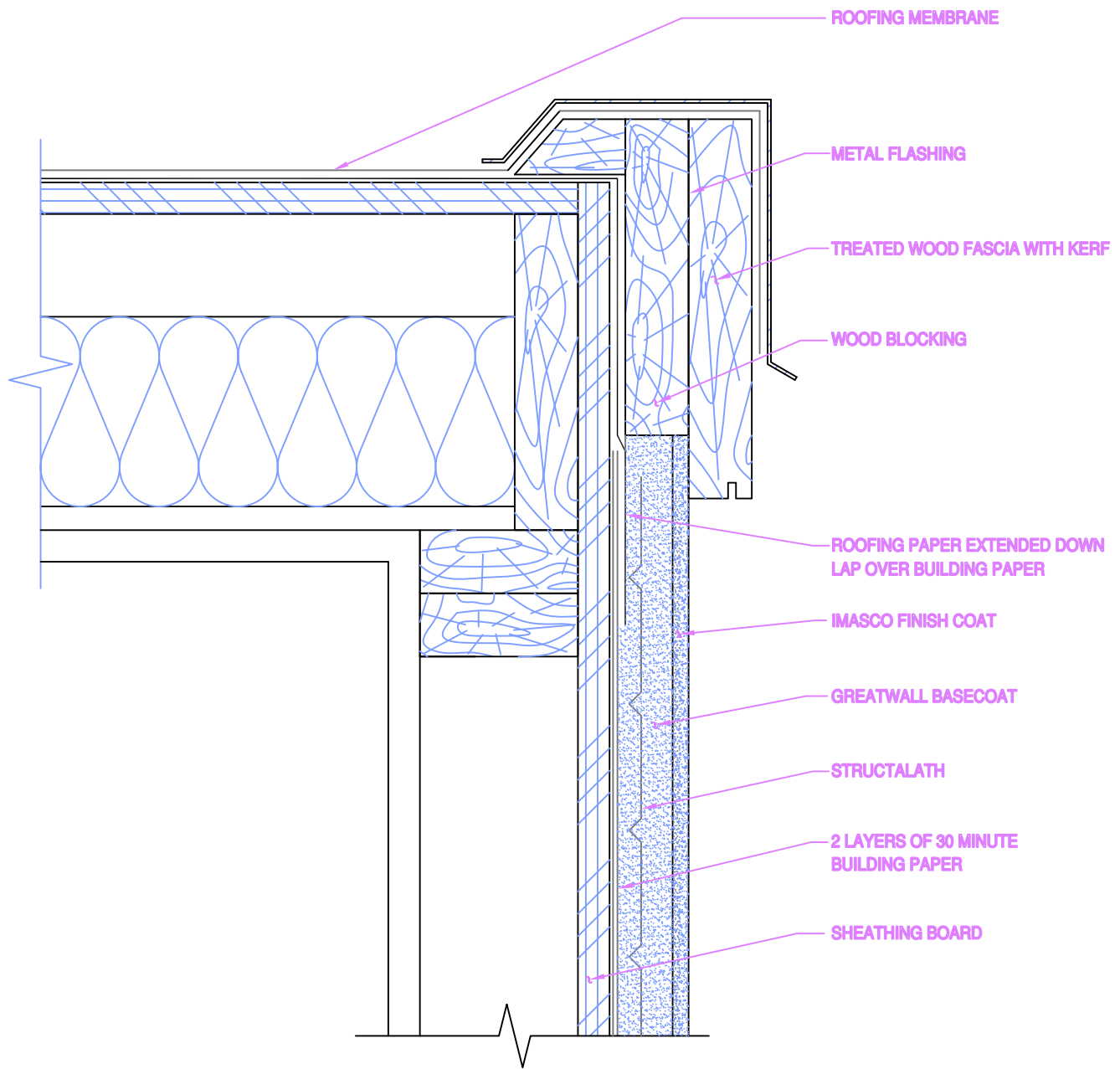
DWG NO

H1

DATE **NOV. 2000**

GENERIC DETAIL ONLY

Use of this design subject to approval for specific project



GENERIC DETAIL ONLY

Use of this design subject to approval for specific project

JULY 11, 2000 1:00pm

TITLE **TERMINATION AT ROOF**

IMASCO ENGINEERING
IMASCO MINERALS INC.

ENGINEERING OFFICE
1975 MCLEAN DRIVE
VANCOUVER, B.C. V6N 3J7

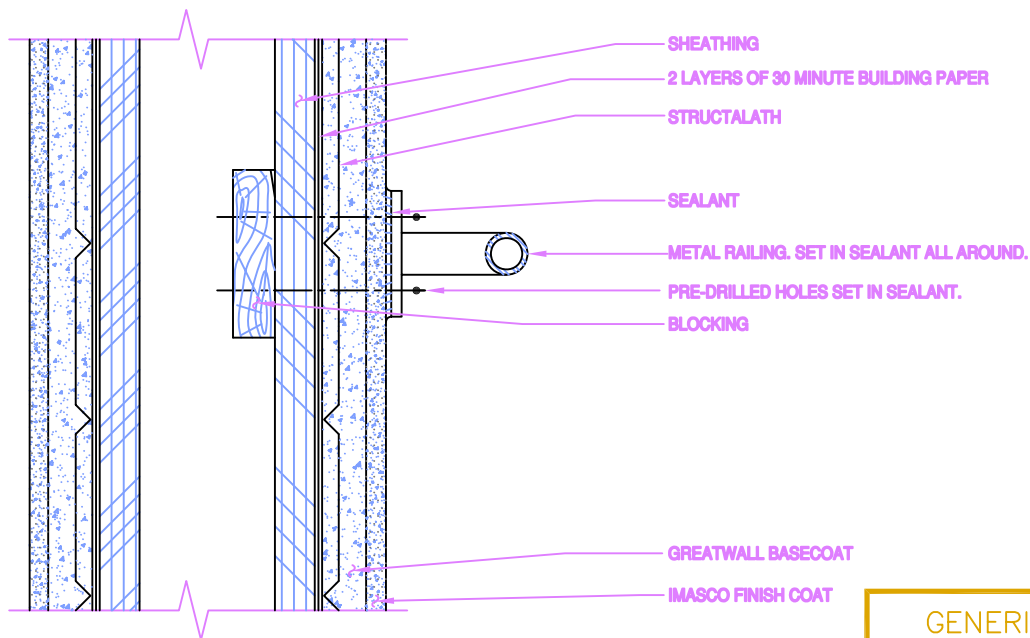
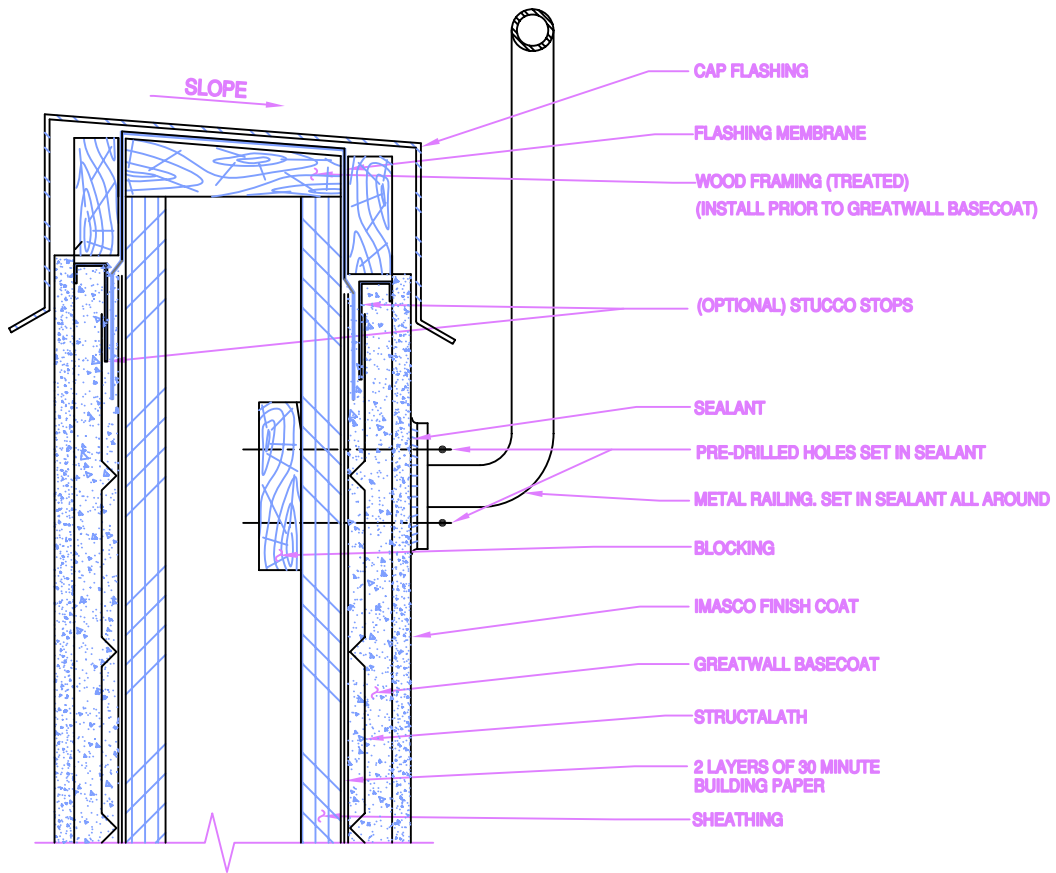
TEL: (604) 251-3955
FAX: (604) 251-3908



DWG NO

H2

DATE **JULY 2000**



GENERIC DETAIL ONLY

Use of this design subject to approval for specific project

NOVEMBER 24, 2000 2:00pm

TITLE
RAILING AT CAPPED WALL
RAILING MOUNTING

IMASCO ENGINEERING
IMASCO MINERALS INC.

ENGINEERING OFFICE
1975 MCLEAN DRIVE
VANCOUVER, B.C. V5N 3J7

TEL: (604) 251-3955
FAX: (604) 251-3909

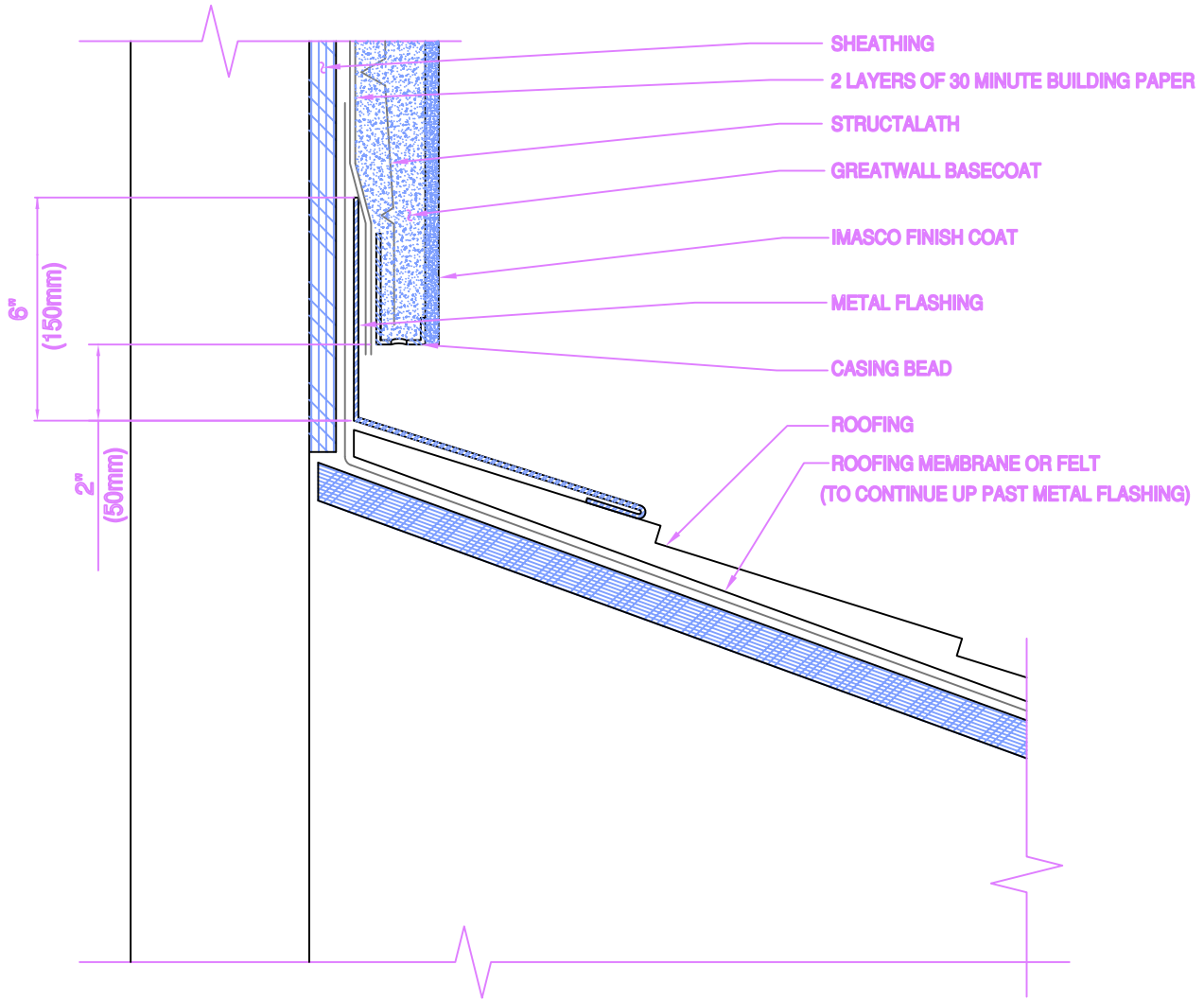
IMASCO MINERALS INC.



DWG NO

H3-H4

DATE NOV. 2000



- SHEATHING
- 2 LAYERS OF 30 MINUTE BUILDING PAPER
- STRUCTALATH
- GREATWALL BASECOAT
- IMASCO FINISH COAT
- METAL FLASHING
- CASING BEAD
- ROOFING
- ROOFING MEMBRANE OR FELT
(TO CONTINUE UP PAST METAL FLASHING)

6"
(150mm)

2"
(50mm)

GENERIC DETAIL ONLY

Use of this design subject to approval for specific project

JULY 6, 2000 1:00pm

TITLE **BOTTOM OF WALL AT TOP OF ROOF**

IMASCO ENGINEERING
IMASCO MINERALS INC.

ENGINEERING OFFICE
1975 MCLEAN DRIVE
VANCOUVER, B.C. V5N 3J7

TEL: (604) 251-3955
FAX: (604) 251-3909

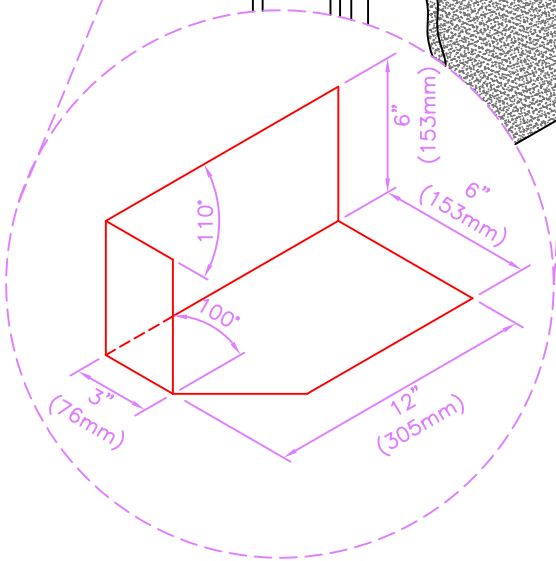
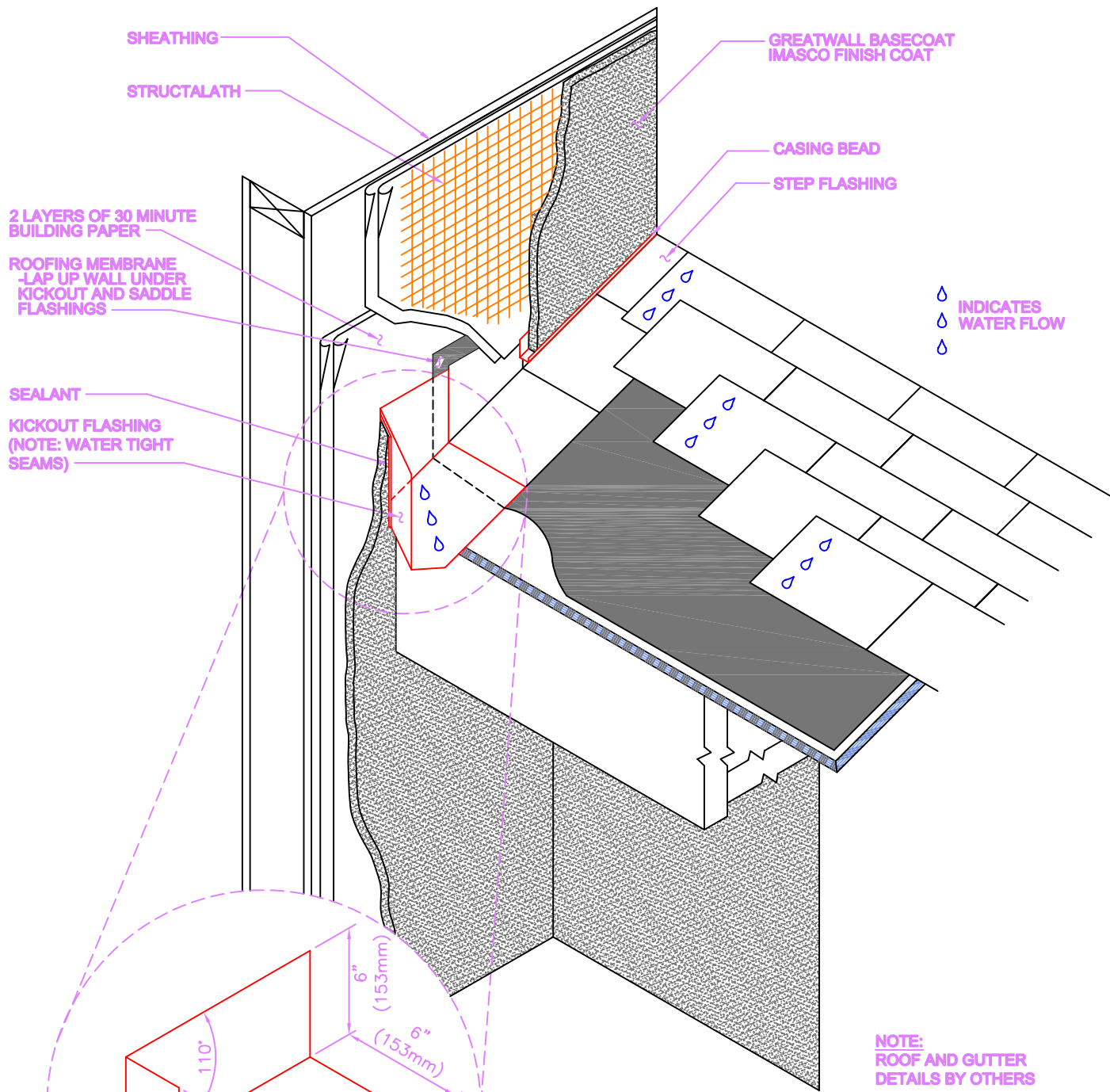
IMASCO MINERALS INC.



DWG NO

H5


DATE **JULY 2000**

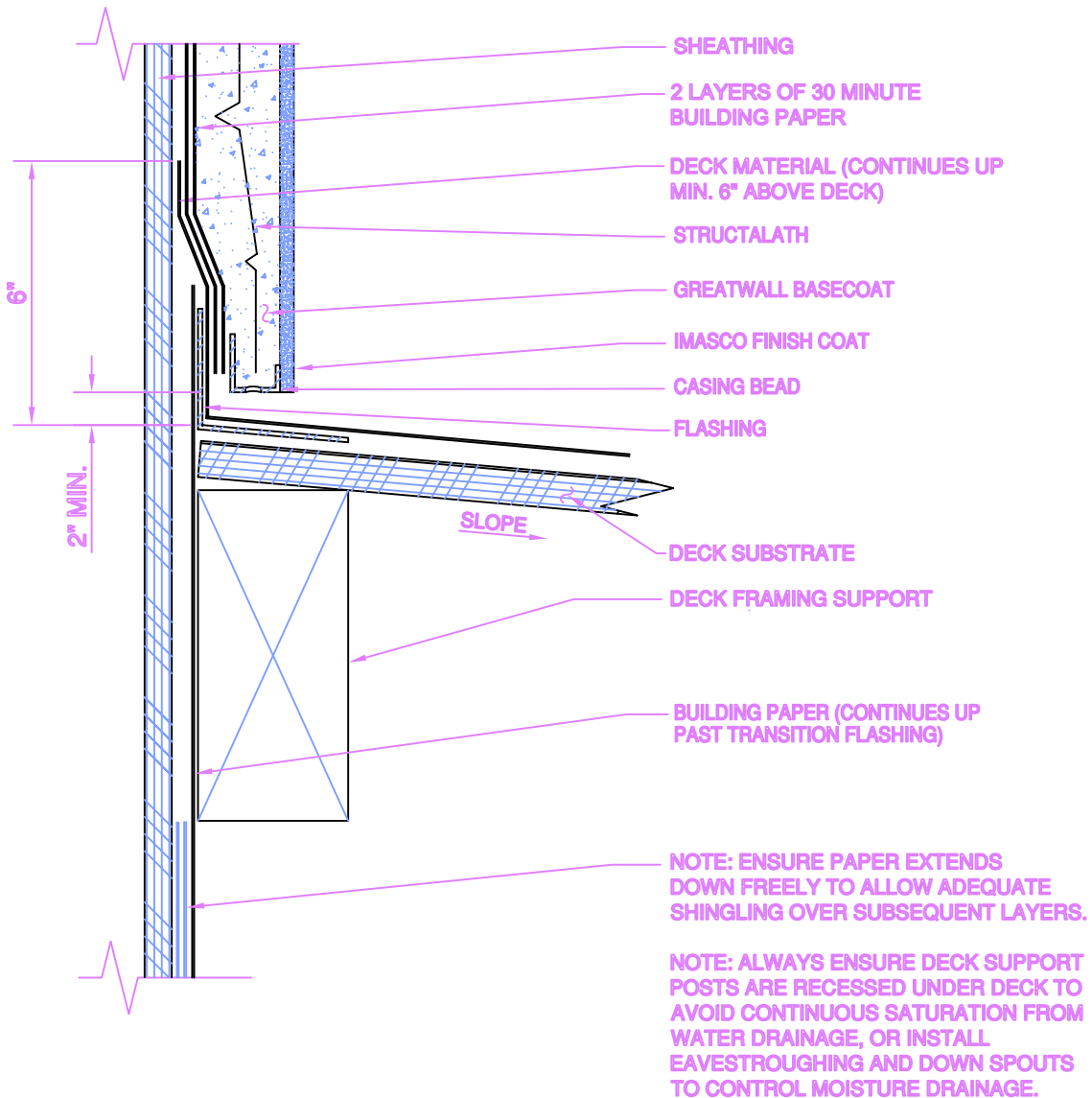


FEBRUARY 8, 2001 3:00pm

TITLE
**TRADITIONAL
 ROOF/WALL INTERSECTION
 KICKOUT FLASHING**

IMASCO ENGINEERING
 IMASCO MINERALS INC.
 ENGINEERING OFFICE
 1975 MCLEAN DRIVE
 VANCOUVER, B.C. V6N 3J7
 TEL: (604) 251-3955
 FAX: (604) 251-3908

GENERIC DETAIL ONLY	
Use of this design subject to approval for specific project	
IMASCO MINERALS INC. 	DWG NO H6
DATE JUNE 2000	



GENERIC DETAIL ONLY

Use of this design subject to approval for specific project

JUNE 14, 2000 1:00pm

TITLE **TERMINATION AT DECK**

IMASCO ENGINEERING
IMASCO MINERALS INC.

ENGINEERING OFFICE
1975 MCLEAN DRIVE
VANCOUVER, B.C. V5N 3J7

TEL: (604) 251-3955
FAX: (604) 251-3909

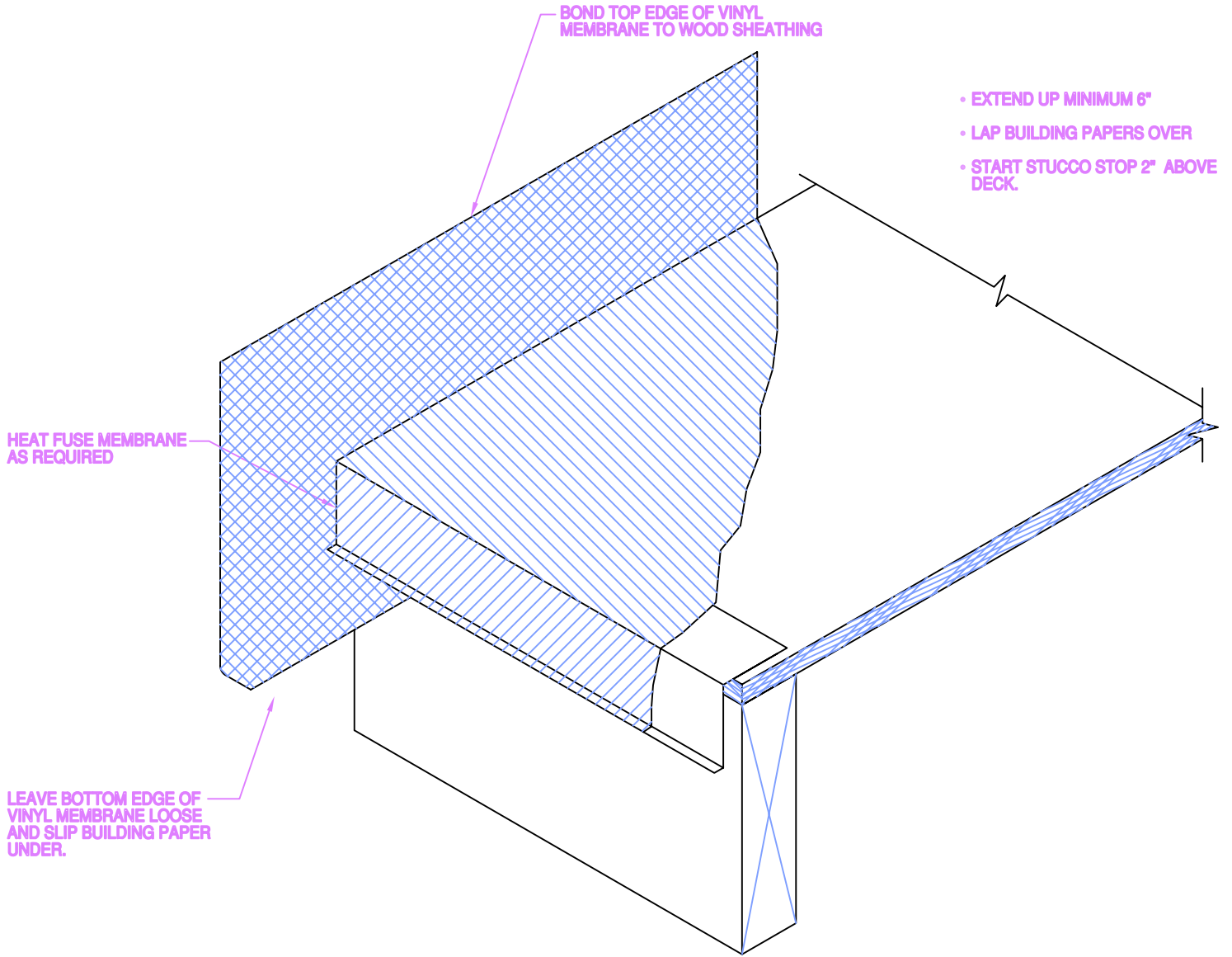
IMASCO MINERALS INC.



DWG NO

H7

DATE **JUNE 2000**



DECEMBER 13, 2000 1:30pm

TITLE VINYL DECK DETAIL

IMASCO ENGINEERING
IMASCO MINERALS INC.

ENGINEERING OFFICE
1975 MCLEAN DRIVE
VANCOUVER, B.C. V5N 3J7

TEL: (604) 251-3955
FAX: (604) 251-3909



IMASCO MINERALS INC.

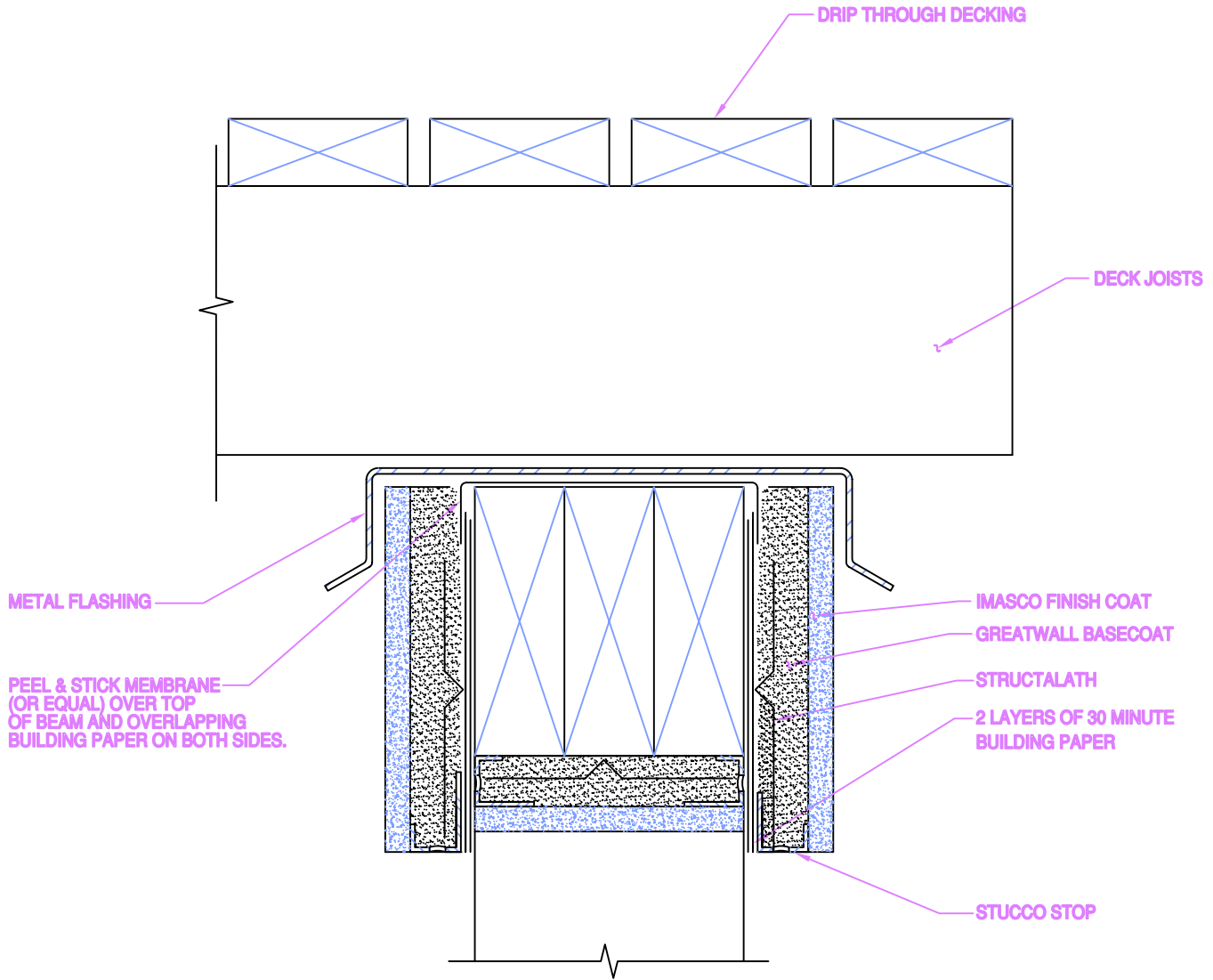
DWG NO

H8

DATE DEC. 2000

GENERIC DETAIL ONLY

Use of this design subject to approval for specific project



DECEMBER 13, 2000 1:30pm

TITLE

DRIP THROUGH DECK DETAIL
CROSS SECTION

IMASCO ENGINEERING
IMASCO MINERALS INC.

ENGINEERING OFFICE
1975 MCLEAN DRIVE
VANCOUVER, B.C. V6N 3J7

TEL: (604) 251-3955
FAX: (604) 251-3908

IMASCO MINERALS INC.



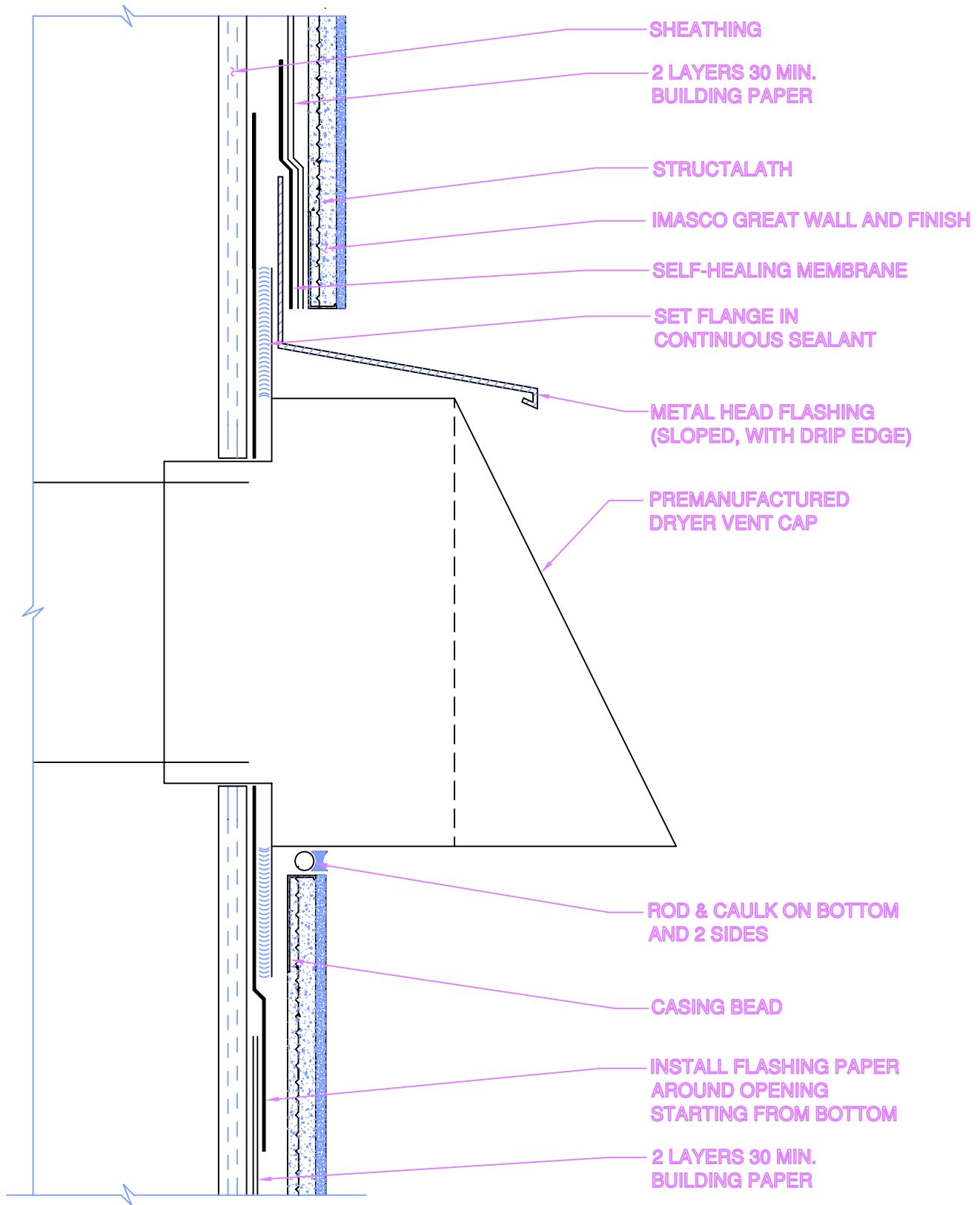
DWG NO

H9

DATE DEC. 2000

GENERIC DETAIL ONLY

Use of this design subject to
approval for specific project



GENERIC DETAIL ONLY

Use of this design subject to approval for specific project

JULY 6, 2000 1:00pm

TITLE DRYER VENT PENETRATION

IMASCO ENGINEERING
IMASCO MINERALS INC.

ENGINEERING OFFICE
1975 MCLEAN DRIVE
VANCOUVER, B.C. V6N 3J7

TEL: (604) 251-3955
FAX: (604) 251-3908

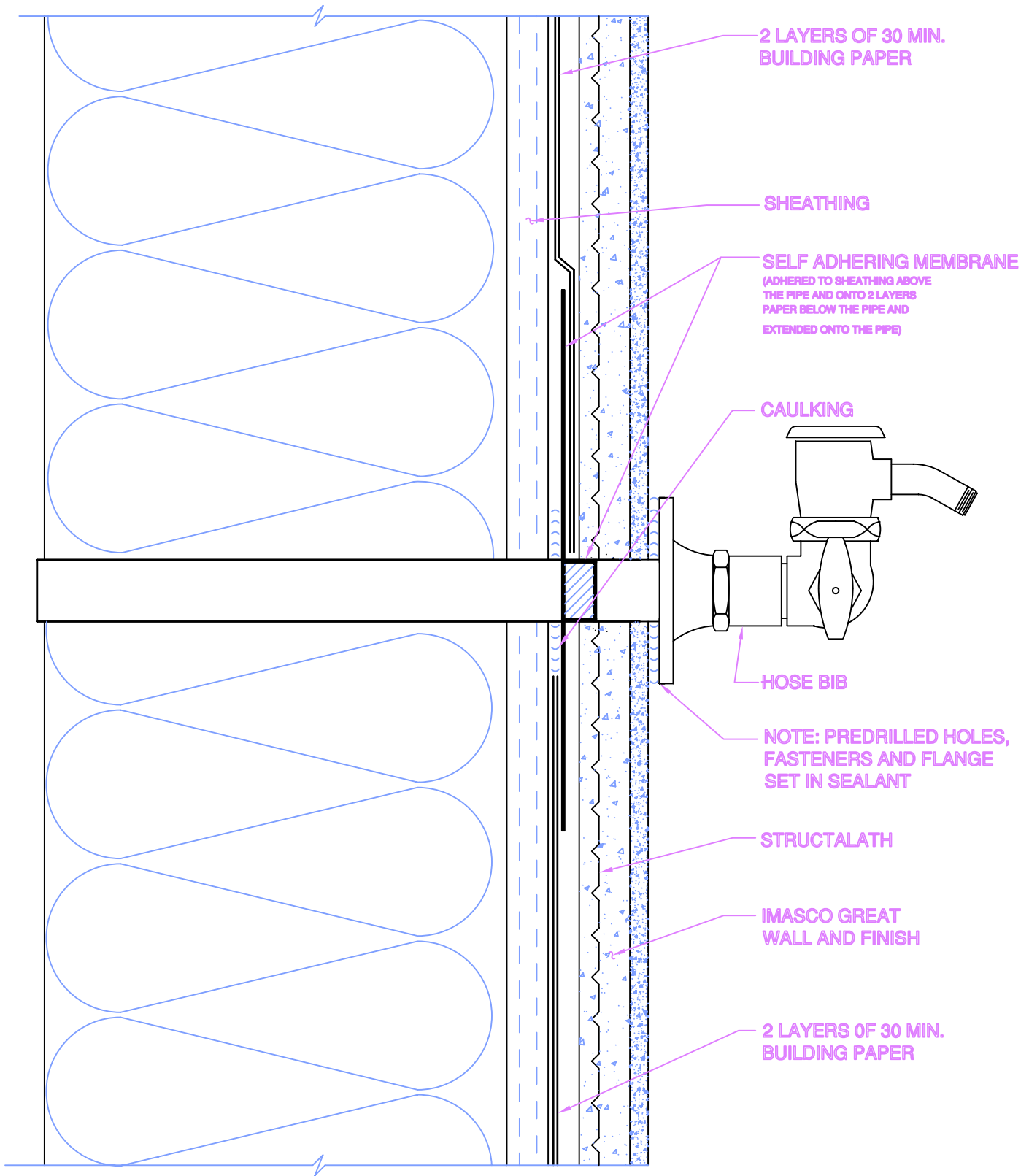
IMASCO MINERALS INC.



DWG NO

P1

DATE JULY 2000



GENERIC DETAIL ONLY

Use of this design subject to approval for specific project

JULY 6, 2000 1:00pm

TITLE

HOSE RIB PENETRATION

IMASCO ENGINEERING
IMASCO MINERALS INC.

ENGINEERING OFFICE
1975 MCLEAN DRIVE
VANCOUVER, B.C. V6N 3J7

TEL: (604) 251-3955
FAX: (604) 251-3908

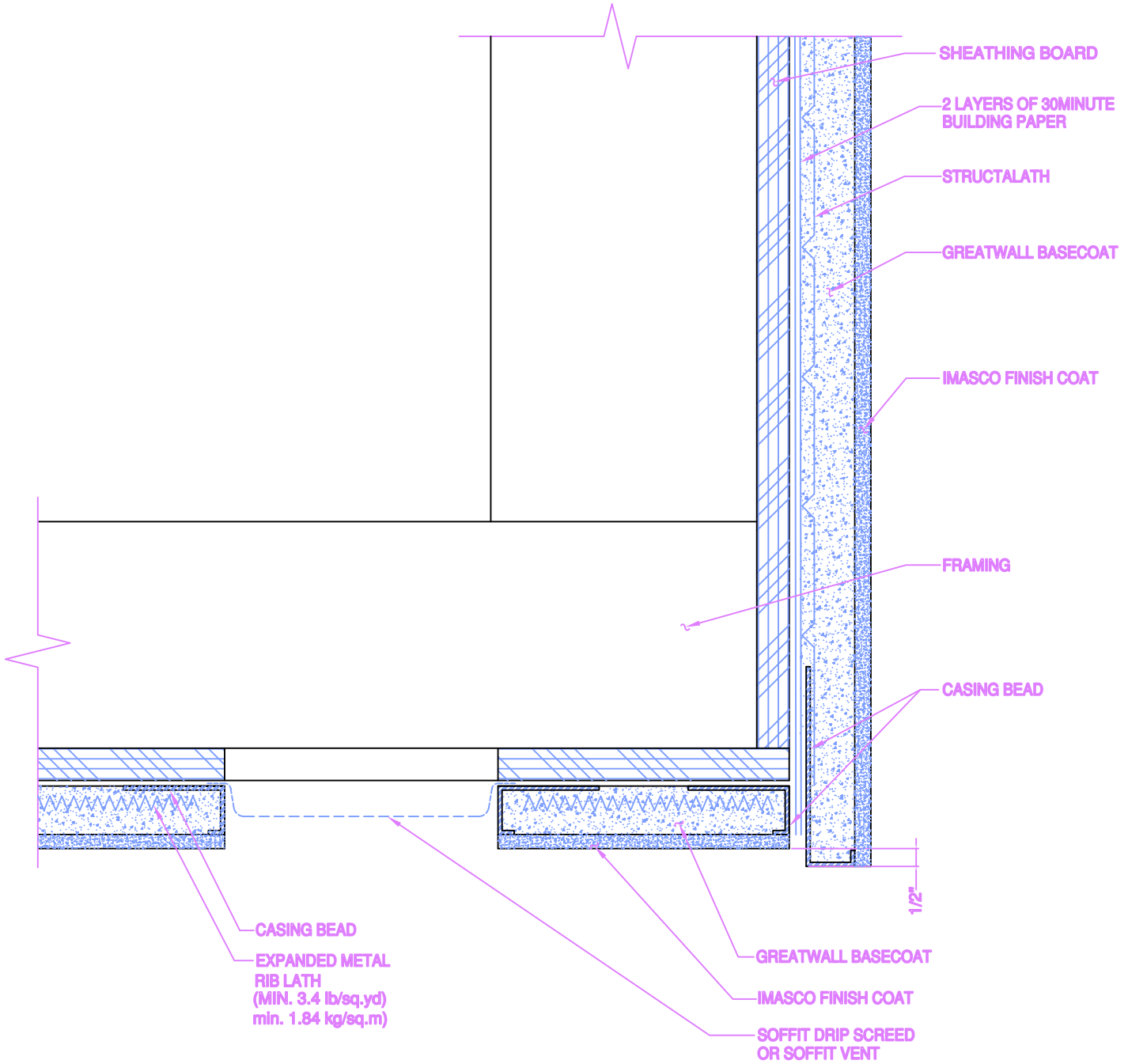
IMASCO MINERALS INC.



DWG NO

P2

DATE JULY 2000



GENERIC DETAIL ONLY

Use of this design subject to approval for specific project

JULY 6, 2000 1:00pm

TITLE SOFFIT DETAIL WITH VENT

IMASCO ENGINEERING
IMASCO MINERALS INC.

ENGINEERING OFFICE
1975 MCLEAN DRIVE
VANCOUVER, B.C. V5N 3J7

TEL: (604) 251-3955
FAX: (604) 251-3909

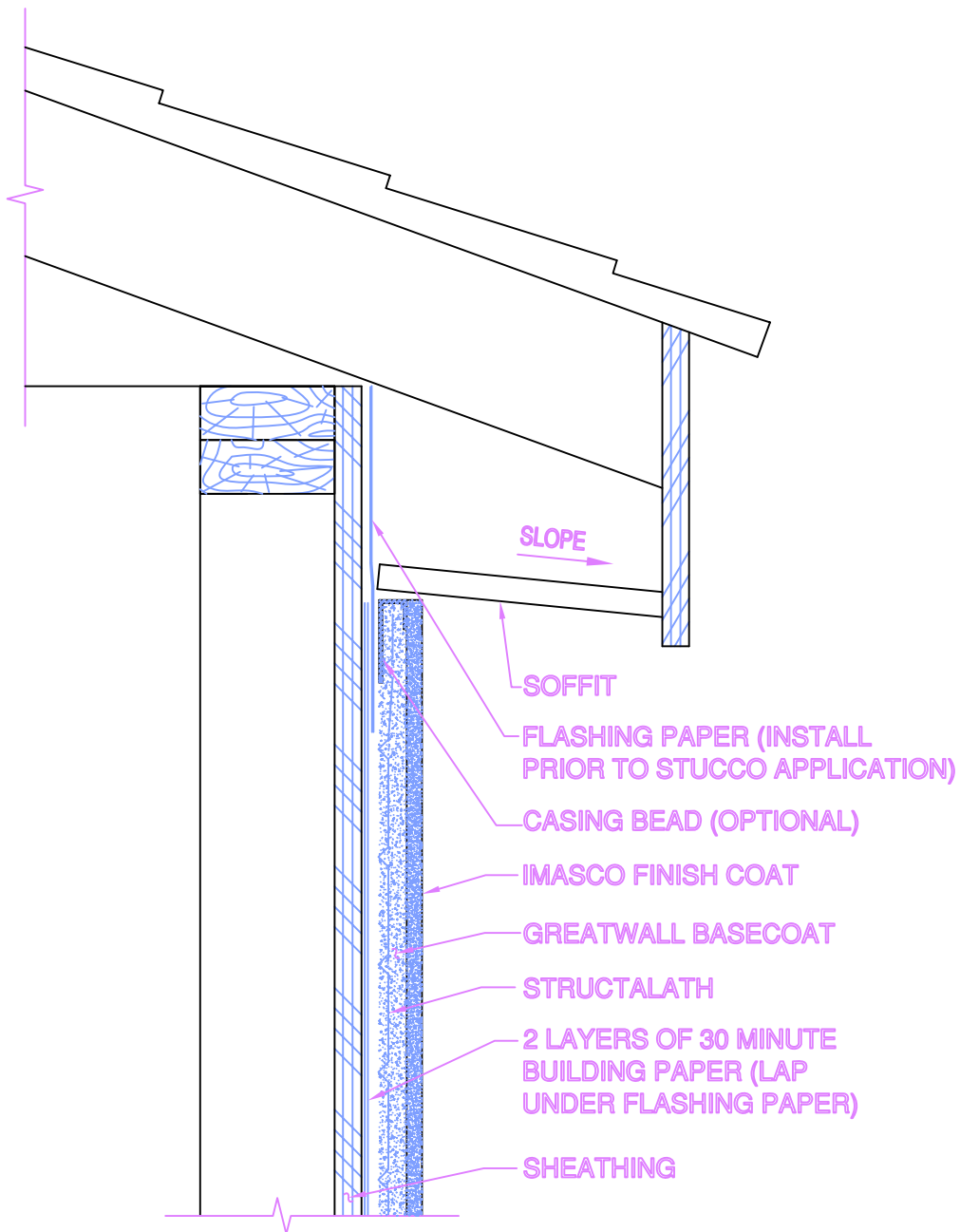
IMASCO MINERALS INC.



DWG NO

S1

DATE JULY 2000



SLOPE

SOFFIT

FLASHING PAPER (INSTALL PRIOR TO STUCCO APPLICATION)

CASING BEAD (OPTIONAL)

IMASCO FINISH COAT

GREATWALL BASECOAT

STRUCTALATH

2 LAYERS OF 30 MINUTE BUILDING PAPER (LAP UNDER FLASHING PAPER)

SHEATHING

NOTE:
SOFFIT SHOULD SLOPE
MIN 1/8" PER FOOT HORIZONTAL
AWAY FROM BUILDING.

GENERIC DETAIL ONLY

Use of this design subject to approval for specific project

NOVEMBER 24, 2000 2:00pm

TITLE SOFFIT DETAIL (SLOPING)

IMASCO ENGINEERING
IMASCO MINERALS INC.

ENGINEERING OFFICE
1975 MCLEAN DRIVE
VANCOUVER, B.C. V5N 3J7

TEL: (604) 251-3955
FAX: (604) 251-3909

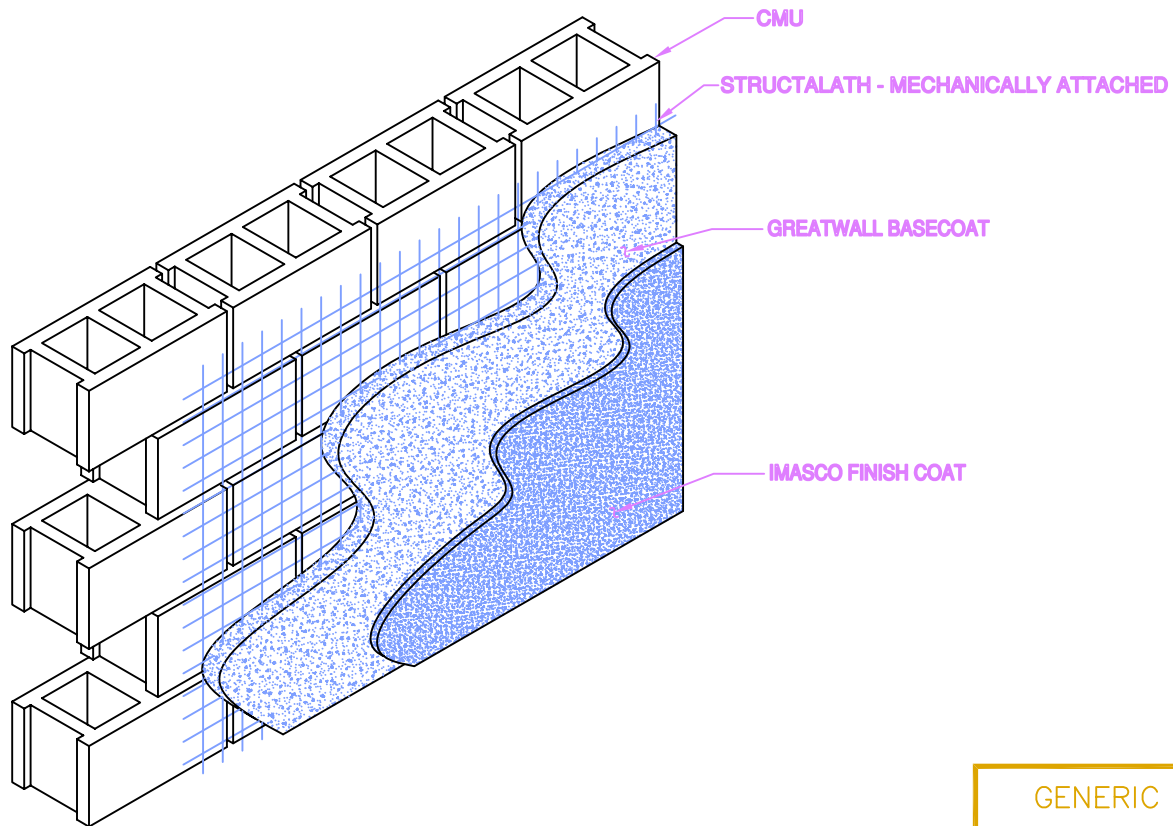
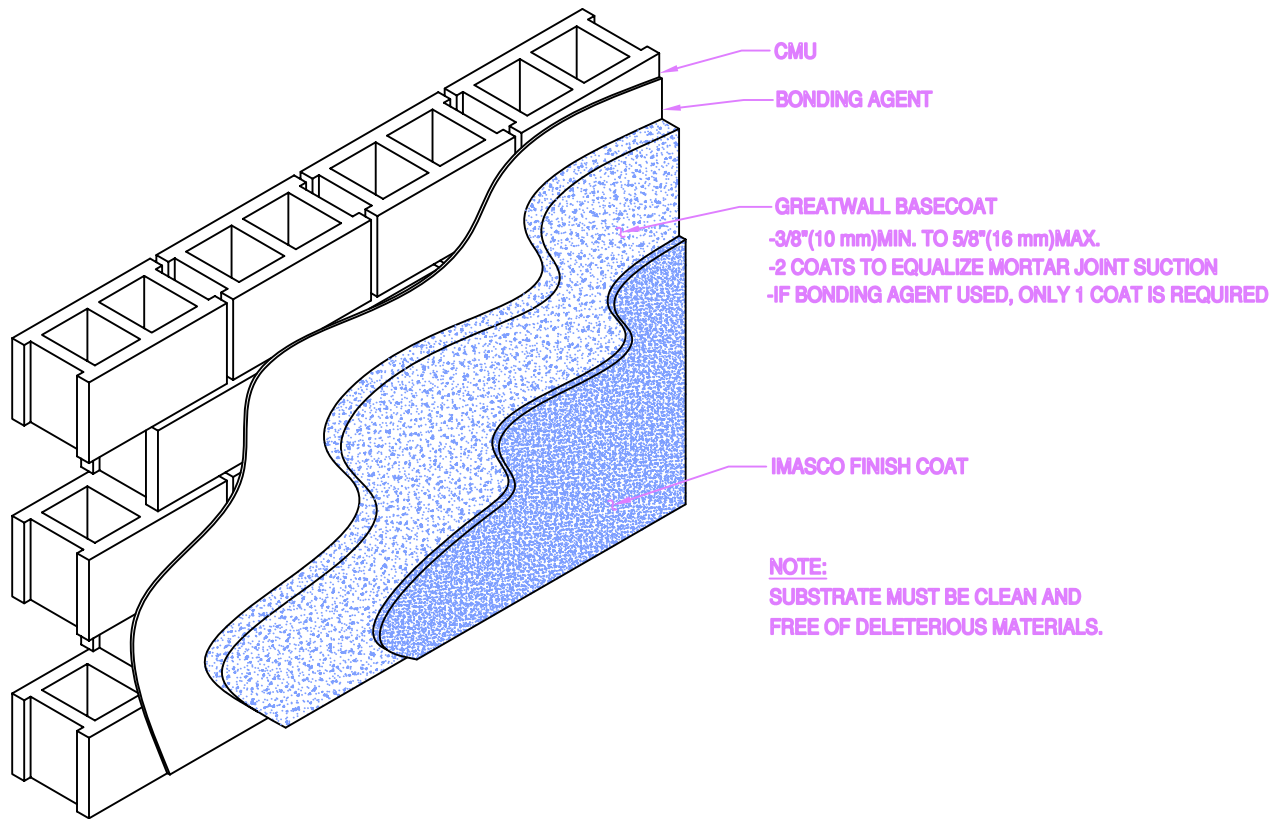
IMASCO MINERALS INC.



DWG NO

S2


DATE NOV. 2000

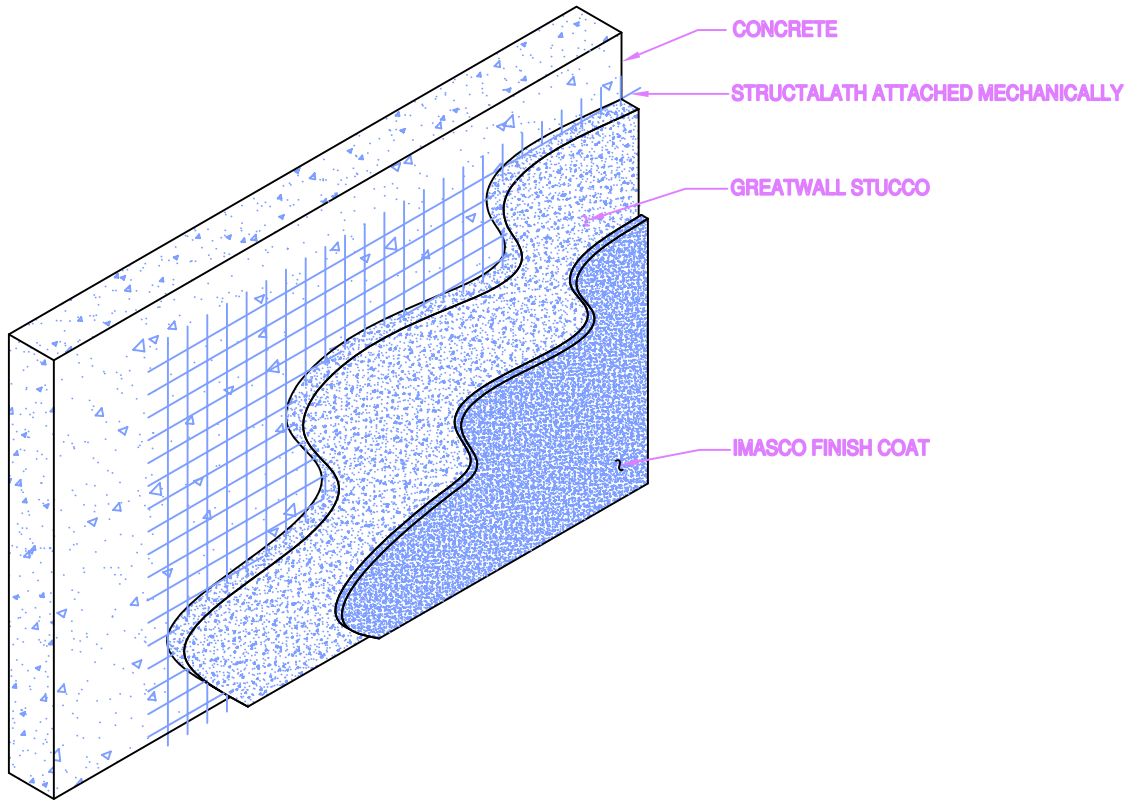
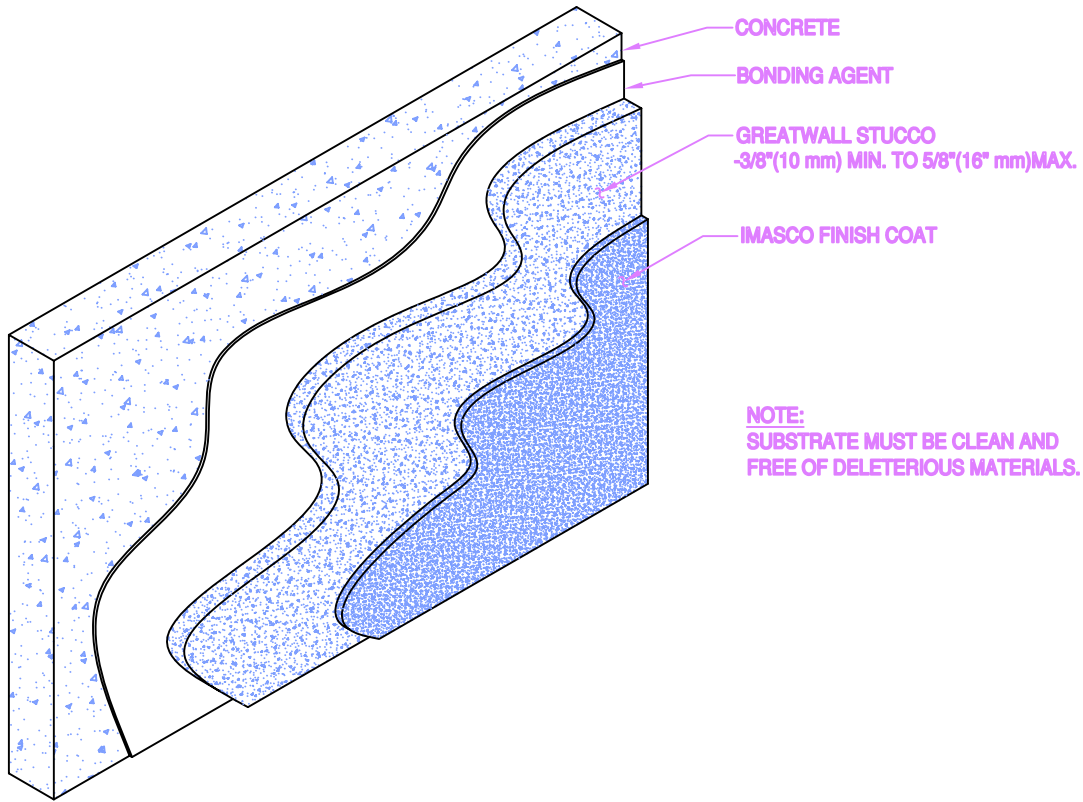


FEBRUARY 9, 2001 4:00pm

TITLE
 LATH 1 IMASCO STUCCO TO CONCRETE
 MASONRY UNITS WITH LATH – IMASCO STUCCO
 DIRECT TO CONCRETE MASONRY UNITS

IMASCO ENGINEERING
 IMASCO MINERALS INC.
 ENGINEERING OFFICE
 1975 MCLEAN DRIVE
 VANCOUVER, B.C. V6N 3J7
 TEL: (604) 251-3955
 FAX: (604) 251-3908

GENERIC DETAIL ONLY	
Use of this design subject to approval for specific project	
IMASCO MINERALS INC. 	DWG NO T1-T2
DATE JULY 2000	



GENERIC DETAIL ONLY

Use of this design subject to approval for specific project

FEBRUARY 9, 2001 3:00pm

TITLE
 IMASCO STUCCO DIRECT TO CONCRETE
 LATH 1 – IMASCO STUCCO TO
 CONCRETE WITH LATH

IMASCO ENGINEERING
 IMASCO MINERALS INC.

ENGINEERING OFFICE
 1975 MCLEAN DRIVE
 VANCOUVER, B.C. V5N 3J7

TEL: (604) 251-3955
 FAX: (604) 251-3909

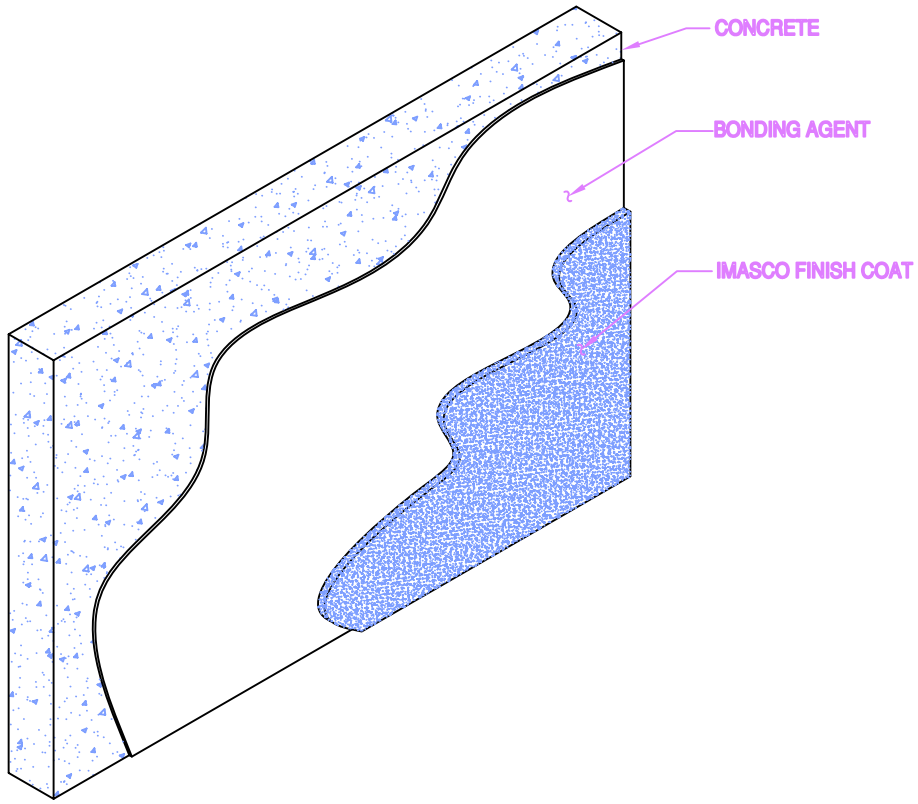
IMASCO MINERALS INC.



DWG NO

T3-T4

DATE JULY 2000



NOTE:
 SUBSTRATE MUST BE CLEAN AND
 FREE OF DELETERIOUS MATERIALS.

GENERIC DETAIL ONLY

Use of this design subject to
 approval for specific project

JULY 6, 2000 1:00pm

TITLE

FINISH COAT DIRECT
 TO CONCRETE

IMASCO ENGINEERING
 IMASCO MINERALS INC.

ENGINEERING OFFICE
 1975 MCLEAN DRIVE
 VANCOUVER, B.C. V6N 3J7

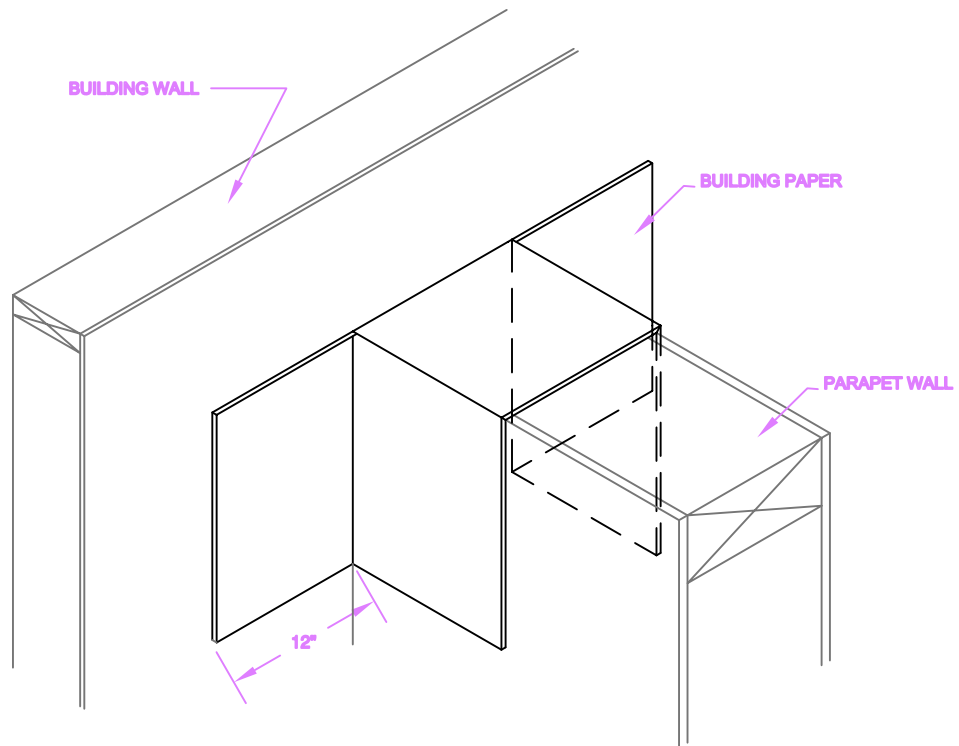
TEL: (604) 251-3955
 FAX: (604) 251-3908



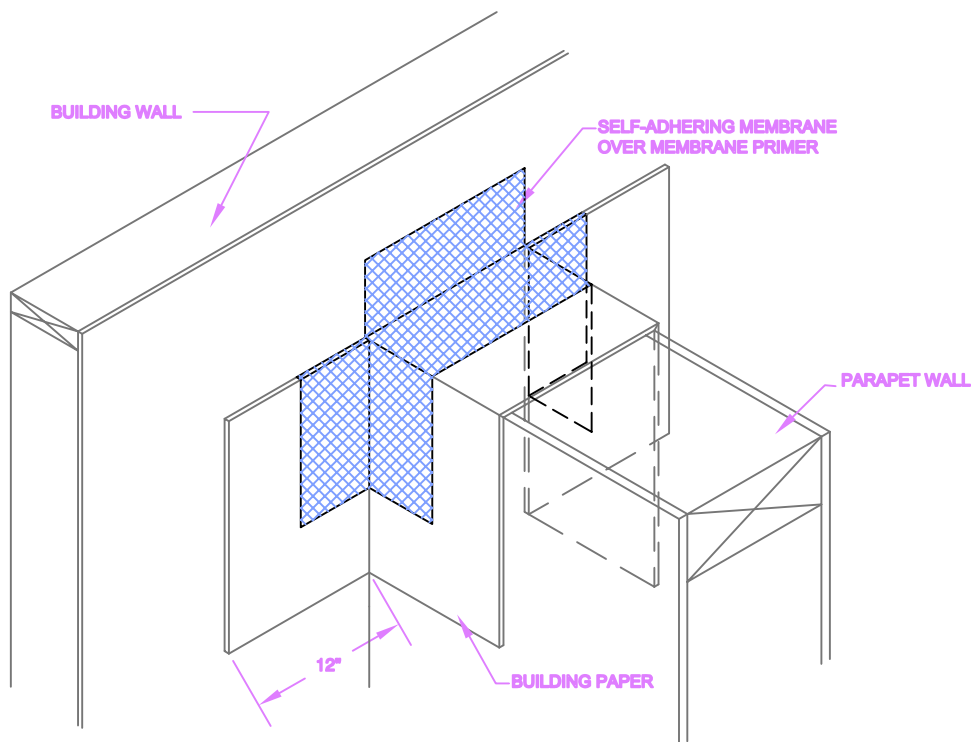
DWG NO

T5

DATE JULY 2000



STEP 1



STEP 2

GENERIC DETAIL ONLY

Use of this design subject to approval for specific project

JANUARY 29, 2001 1:00pm

TITLE

PREPARATION FOR SADDLE FLASHING

IMASCO ENGINEERING
IMASCO MINERALS INC.

ENGINEERING OFFICE
1975 MCLEAN DRIVE
VANCOUVER, B.C. V6N 3J7

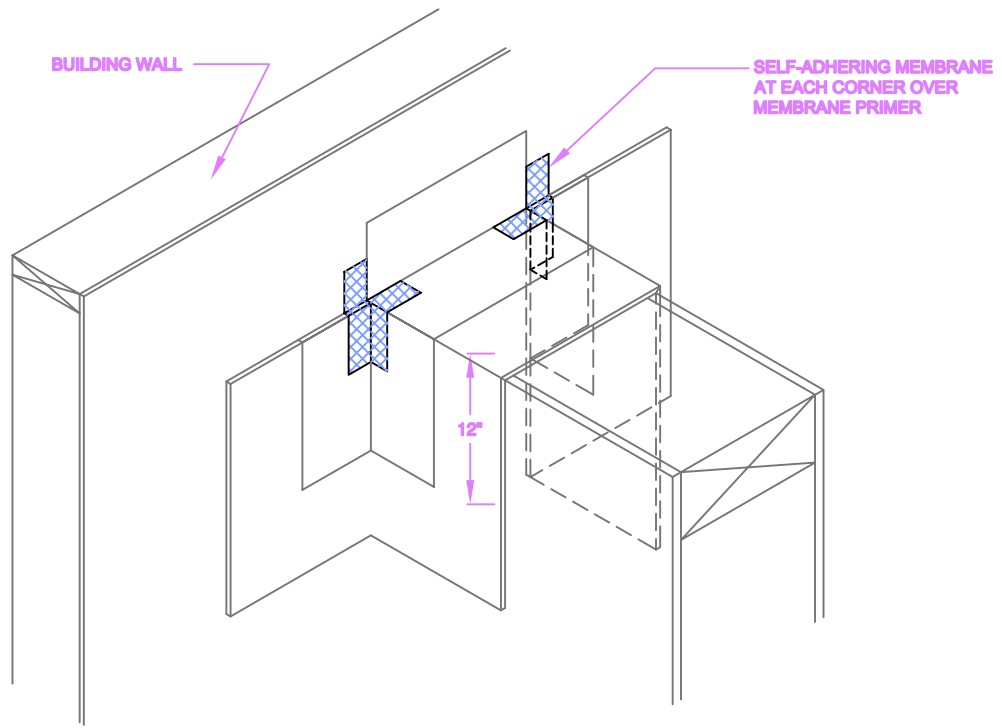
TEL: (604) 251-3955
FAX: (604) 251-3908



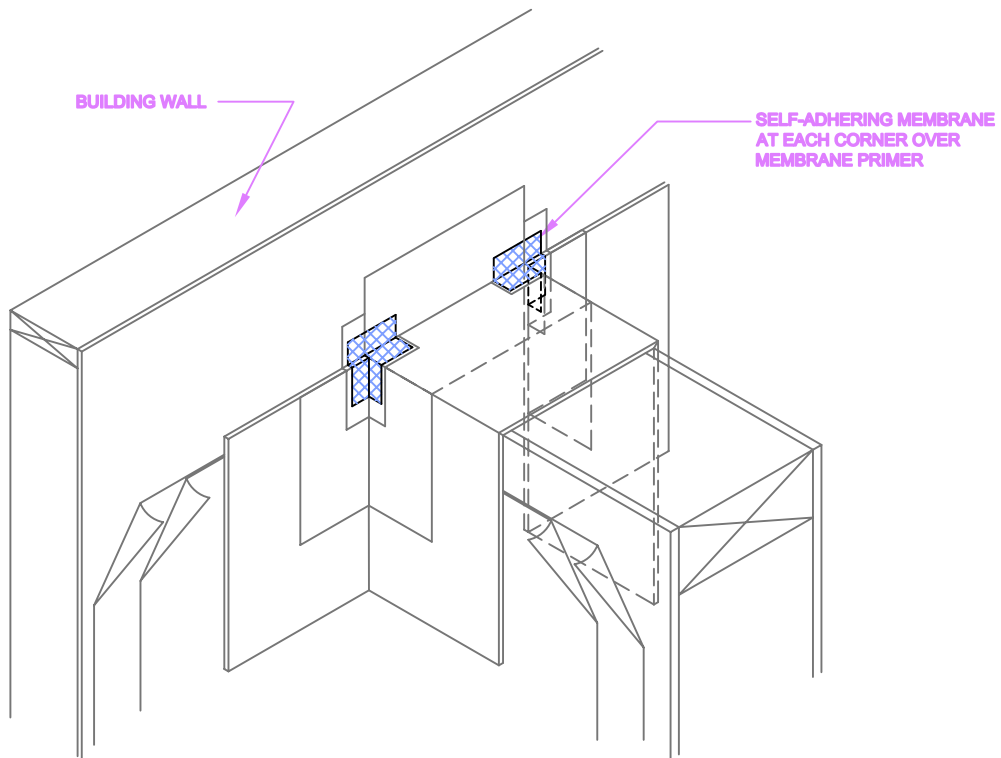
DWG NO

T-6

DATE DEC. 2000



STEP 3



STEP 4

GENERIC DETAIL ONLY

Use of this design subject to approval for specific project

JANUARY 29, 2001 1:00pm

TITLE

PREPARATION FOR SADDLE FLASHING

IMASCO ENGINEERING
IMASCO MINERALS INC.

ENGINEERING OFFICE
1975 MCLEAN DRIVE
VANCOUVER, B.C. V6N 3J7

TEL: (604) 251-3955
FAX: (604) 251-3908

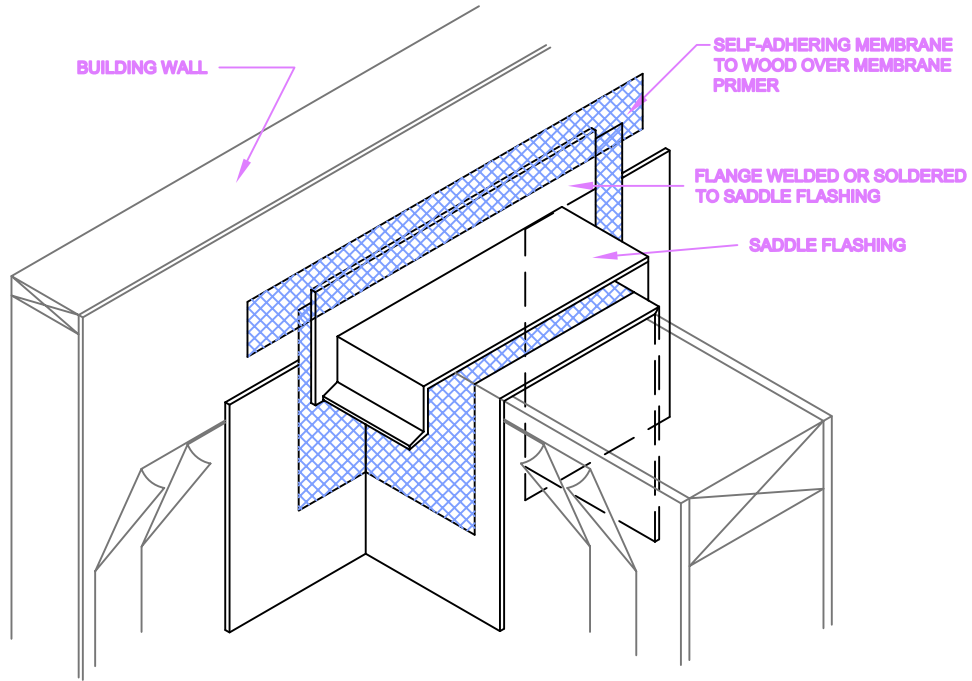
IMASCO MINERALS INC.



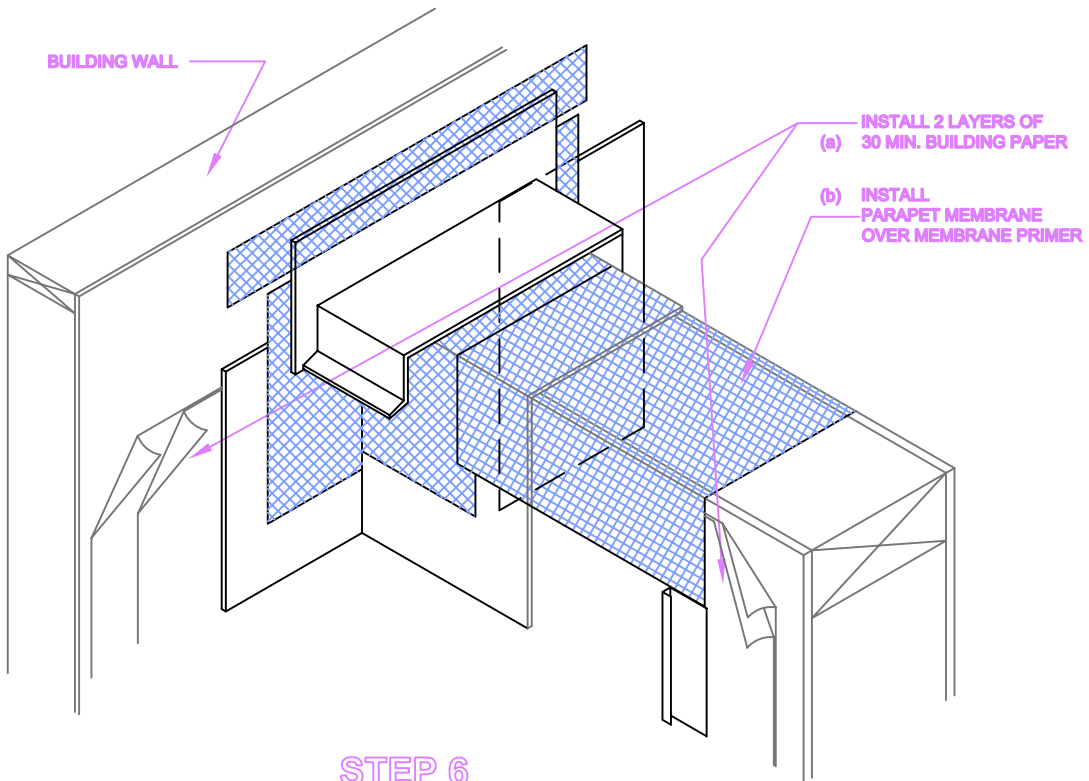
DWG NO

T-6a

DATE DEC. 2000



STEP 5



STEP 6

GENERIC DETAIL ONLY

Use of this design subject to approval for specific project

JANUARY 29, 2001 1:30pm

TITLE

PREPARATION FOR SADDLE FLASHING

IMASCO ENGINEERING
IMASCO MINERALS INC.

ENGINEERING OFFICE
1975 MCLEAN DRIVE
VANCOUVER, B.C. V6N 3J7

TEL: (604) 251-3955
FAX: (604) 251-3908

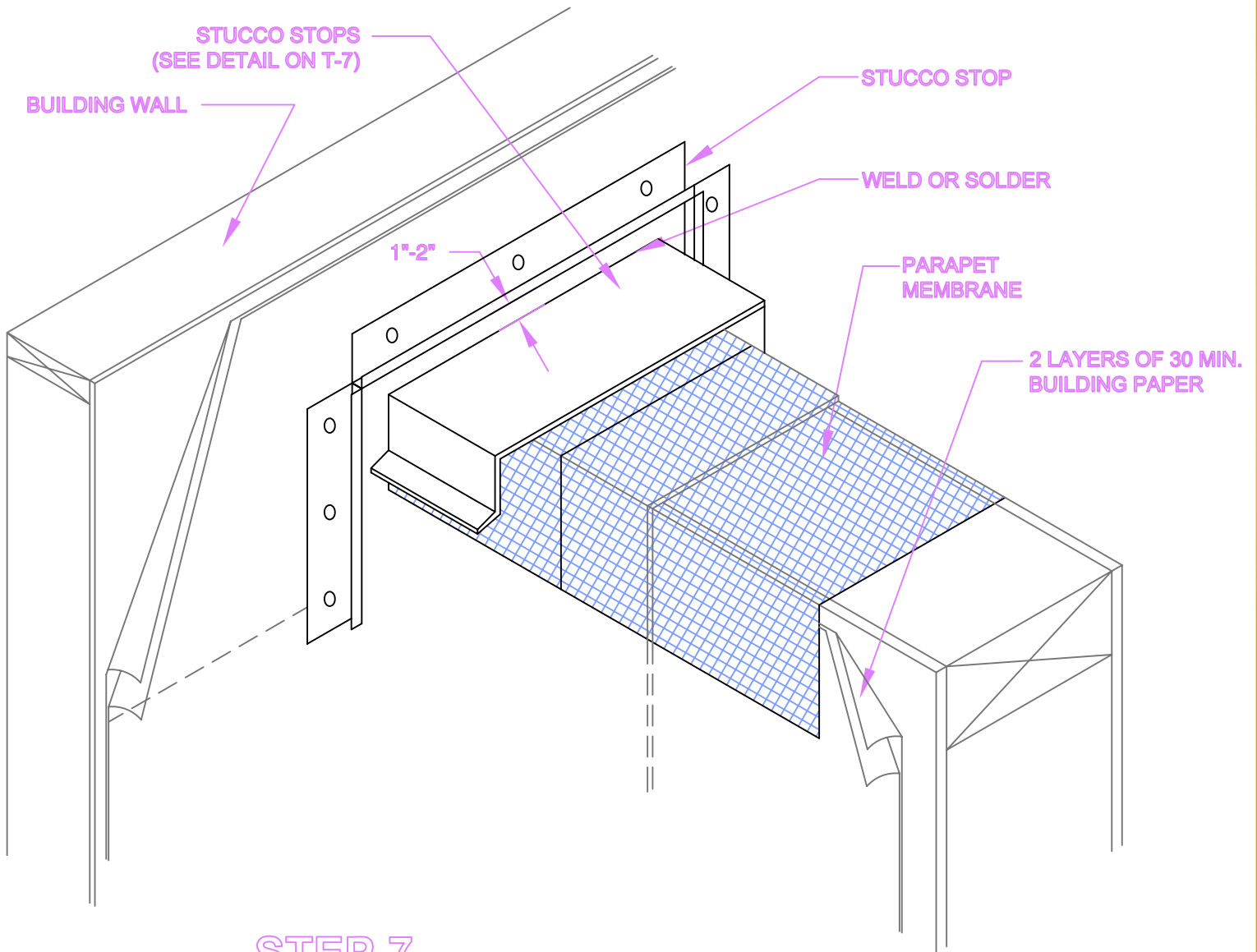
IMASCO MINERALS INC.



DWG NO

T-6b

DATE DEC. 2000



STEP 7

(a) INSTALL BUILDING PAPER ABOVE PARAPET SHINGLING ON TOP OF PREVIOUS MEMBRANES.

(b) INSTALL STUCCO STOPS AROUND TERMINATION.

GENERIC DETAIL ONLY

Use of this design subject to approval for specific project

DECEMBER 13, 2000 3:00pm

TITLE

PREPARATION FOR SADDLE FLASHING

IMASCO ENGINEERING
IMASCO MINERALS INC.

ENGINEERING OFFICE
1975 MCLEAN DRIVE
VANCOUVER, B.C. V6N 3J7

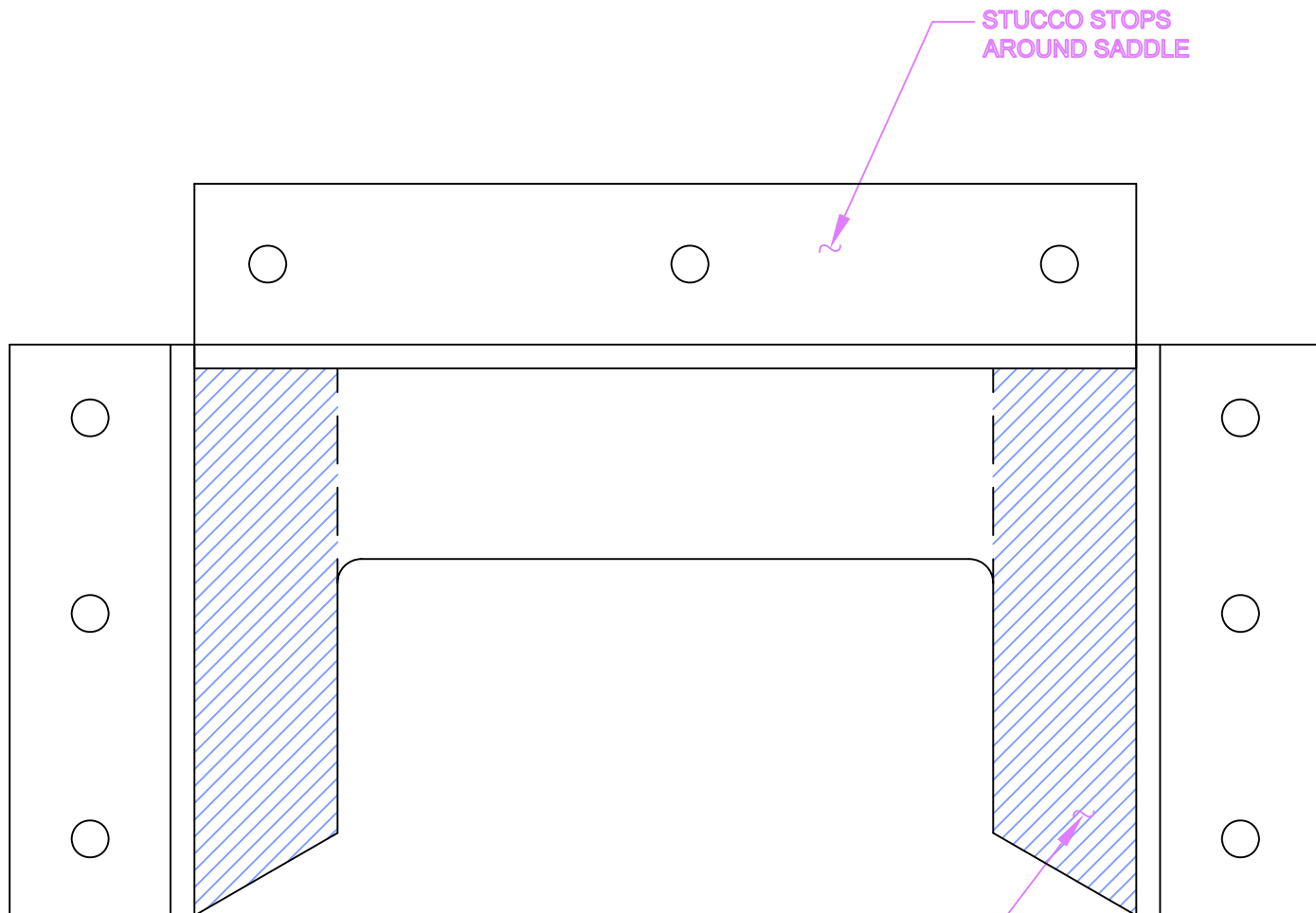
TEL: (604) 251-3955
FAX: (604) 251-3908



DWG NO

T-6c

DATE DEC. 2000



STUCCO STOPS
AROUND SADDLE

AFTER STUCCO APPLIED,
CAULK ON BOTH SIDES TO
PREVENT WATER ENTRY.
LEAVE TOP WITHOUT CAULKING
TO ALLOW WATER ESCAPE.

GENERIC DETAIL ONLY

Use of this design subject to
approval for specific project

NOVEMBER 24, 2000 3:00pm

TITLE SADDLE FLASHING DETAIL

IMASCO ENGINEERING
IMASCO MINERALS INC.

ENGINEERING OFFICE
1975 MCLEAN DRIVE
VANCOUVER, B.C. V6N 3J7

TEL: (604) 251-3955
FAX: (604) 251-3908



DWG NO

T-7

DATE NOV. 2000